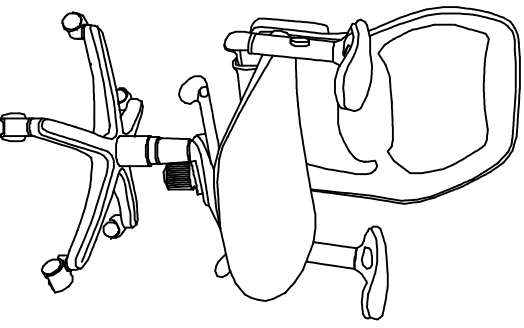


# ASSEMBLY INSTRUCTIONS

## Mercado Mesh Back Chair

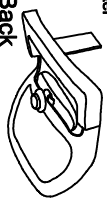

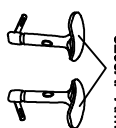












### Model No. 3200



## PARTS LIST 3200

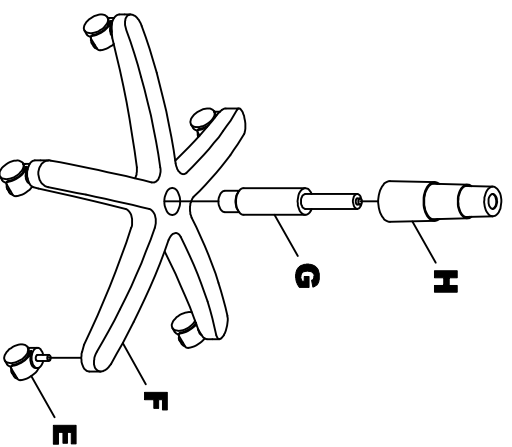
When ordering components, specific color and/or size information may be required. Contact a Mayline Customer Service Representative. 1-800-822-8037

\* Individual Items, Order by part number.  
 \*\* Denotes Color Code.

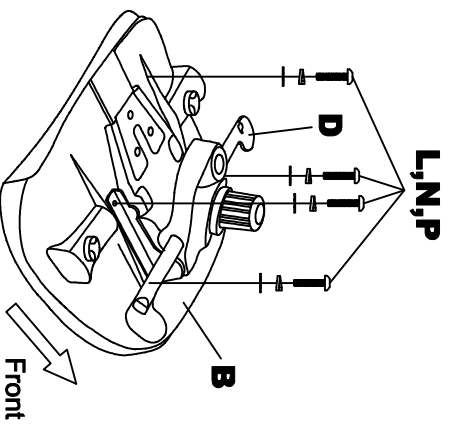
Reference Letter	<b>A*</b>		Quantity	<b>1</b>
Reference Letter	<b>1017716** Back</b>			
Reference Letter	<b>B*</b>		Quantity	<b>1</b>
Reference Letter	<b>1017717** Seat</b>			
Reference Letter	<b>C*</b>		Quantity	<b>2</b>
Reference Letter	<b>3200AP Arm Pad</b>			
Part Number	<b>3200ARMS Arms (pair)</b>			
Reference Letter	<b>D*</b>		Quantity	<b>1</b>
Reference Letter	<b>1017718 Mechanism</b>			
Reference Letter	<b>E*</b>		Quantity	<b>5</b>
Reference Letter	<b>1017725 Castor (5 per pack)</b>			
Reference Letter	<b>F*</b>		Quantity	<b>1</b>
Reference Letter	<b>3200SB Base</b>			
Reference Letter	<b>G*</b>		Quantity	<b>1</b>
Reference Letter	<b>3200GC Cylinder</b>			
Reference Letter	<b>H*</b>		Quantity	<b>1</b>
Reference Letter	<b>1017719 Cylinder Cover</b>			
Reference Letter	<b>J*</b>		Quantity	<b>2</b>
Reference Letter	<b>1017724 Arm Knob</b>			
Part Number*	<b>101704 Hardware Bag</b>			
Reference Letter	<b>K</b>		Quantity	<b>3</b>
Reference Letter	<b>Screw M8 X 18mm</b>			<b>1</b>
Reference Letter	<b>L</b>		Quantity	<b>4</b>
Reference Letter	<b>Screw M6 X 30mm</b>			<b>1</b>
Reference Letter	<b>M</b>		Quantity	<b>3</b>
Reference Letter	<b>Washer</b>			<b>1</b>
Reference Letter	<b>N</b>		Quantity	<b>7</b>
Reference Letter	<b>Lock Washer</b>			<b>1</b>
Reference Letter	<b>P</b>		Quantity	<b>4</b>
Reference Letter	<b>Washer</b>			<b>1</b>
Reference Letter	<b>R</b>		Quantity	<b>1</b>
Reference Letter	<b>Allen Wrench</b>			<b>1</b>



© Mayline Company, LLC  
 619 N. Commerce, P.O. Box 728  
 Sheboygan, WI 53082-0728  
 Toll Free: 1-800-822-8037  
 FAX: 920-457-7388  
 On Line: www.mayline.com

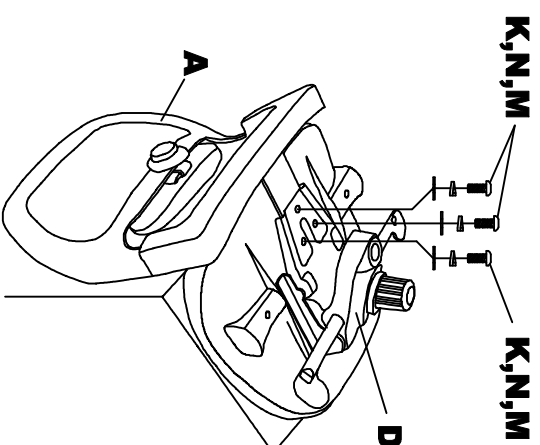


1. Place Base (F) upside down and push Casters (E) firmly into base. 5 places.
2. Turn Base right side up and insert Cylinder (G) into center hole of Base.
3. Place Cylinder Cover (H) over Cylinder.

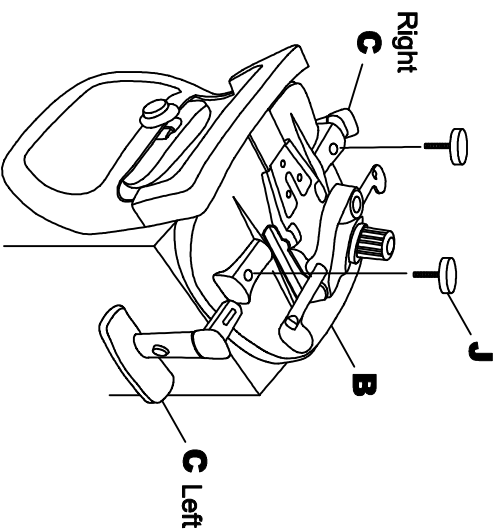


4. Assemble Mechanism (D) to Seat (B) using Screws (L), Lock Washer (N) & Washer (P) 4 places as shown.

**2**

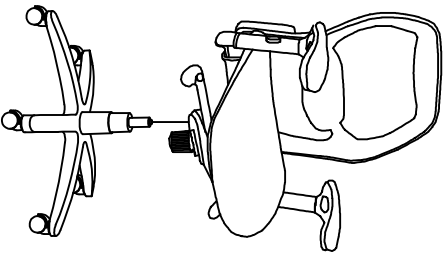


5. Assemble Back (A) onto Mechanism (D) using Screws (K), Lock Washer (N) & Washer (M) 3 places as shown.



4. Assemble Arms (C) 2 places onto Seat (B) using Knobs (J) 1 place each arm.

**3**



6. Carefully place chair assembly onto base assembly.

**NOTE:**

Periodically (Every 90 days) make sure screws are fully tightened.

**OPERATING INSTRUCTIONS FOR SYNCHRO-TILT MECHANISM**

**Synchro-Tilt** allows the back to tilt 2 degrees for every 1 degree of seat tilt.

**1. Seat Height Adjustment.**

To raise the seat, pull lever upward and raise your body up slightly to allow the chair to rise to the desired height.

To lower the seat, pull lever upward and apply weight downward on the seat.

**2. Seat Tilt Adjustment Lock**

Pull lever upward and allow the chair to tilt backwards.

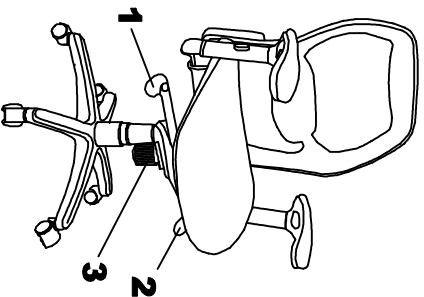
To lock to the desired position push lever downward.

To release tilt adjustment, pull lever upward, apply weight onto the back cushion and then lean forward.

**3. Tilt Tension Control Knob.**

Turn knob clockwise to increase tilt tension.

Turn knob counter-clockwise to decrease tilt tension.



**4**