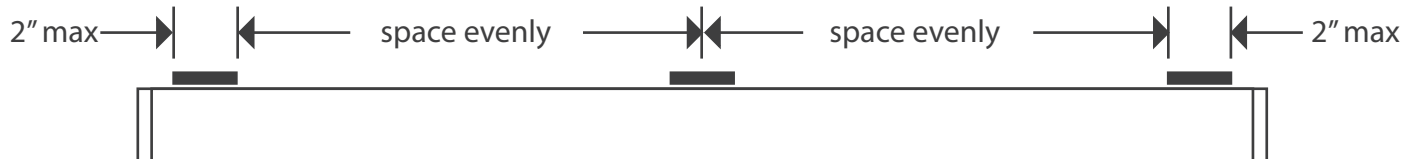


Installation Instructions

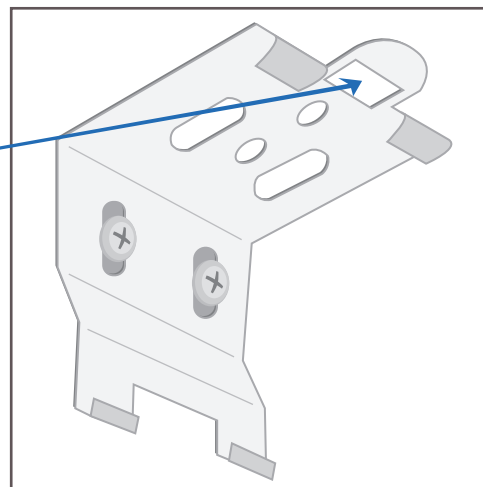
Mounting the Hideaway™

Mount the brackets to the wall above your whiteboard with the outside brackets no further than 2 inches from the ends of the headrail. Space any additional brackets at equal intervals between the end brackets.



Use the rear bracket holes and mount to the wall above your dry erase board with enough room so the Hideaway case can fit above the board's frame.

Make sure the release tab is always mounted on the top.



Mount the headrail. Position the headrail with the back panel **(A)** resting on both bottom hooks of all brackets. Push the front of the headrail firmly upwards and toward the wall until the groove at the top of the headrail snaps into place, **(B)** as shown.

