

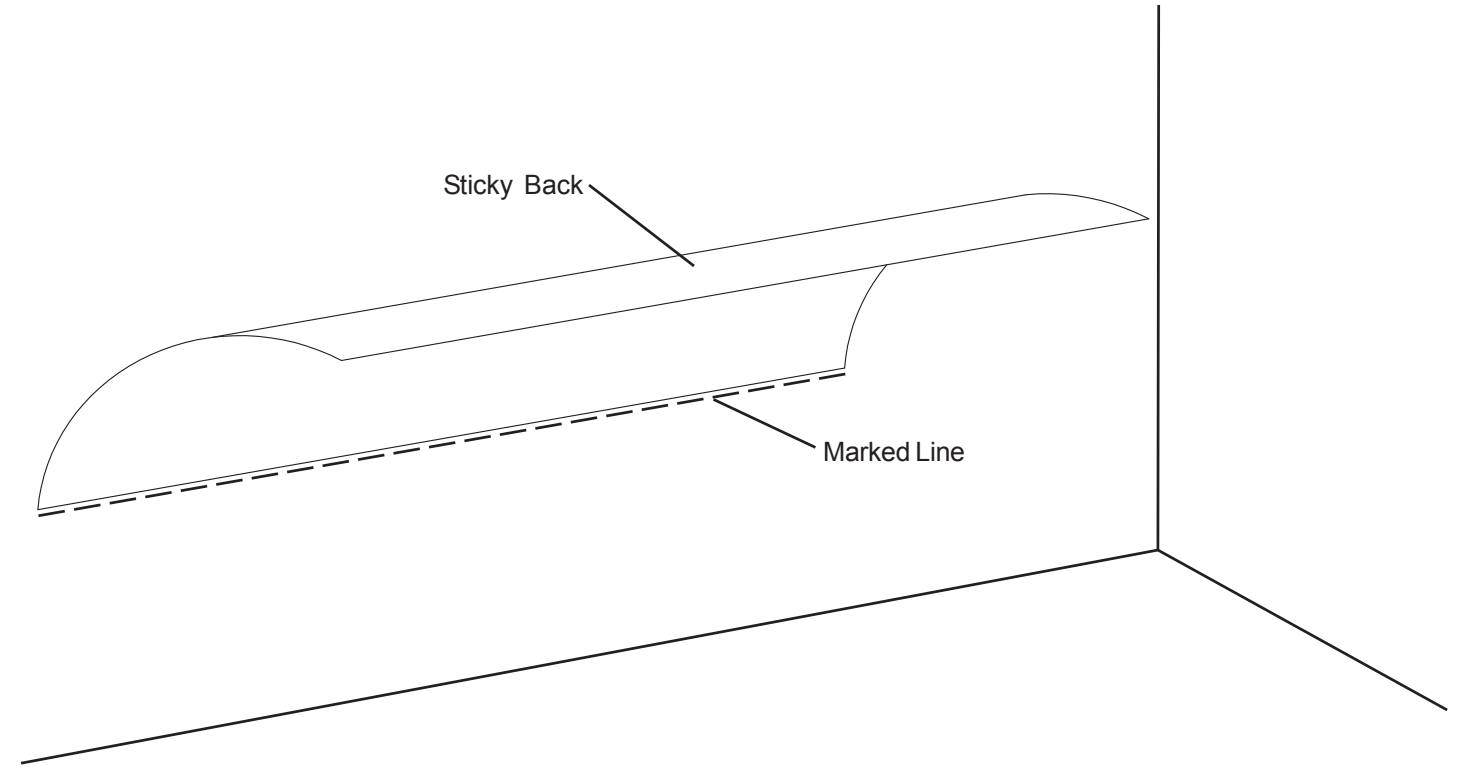
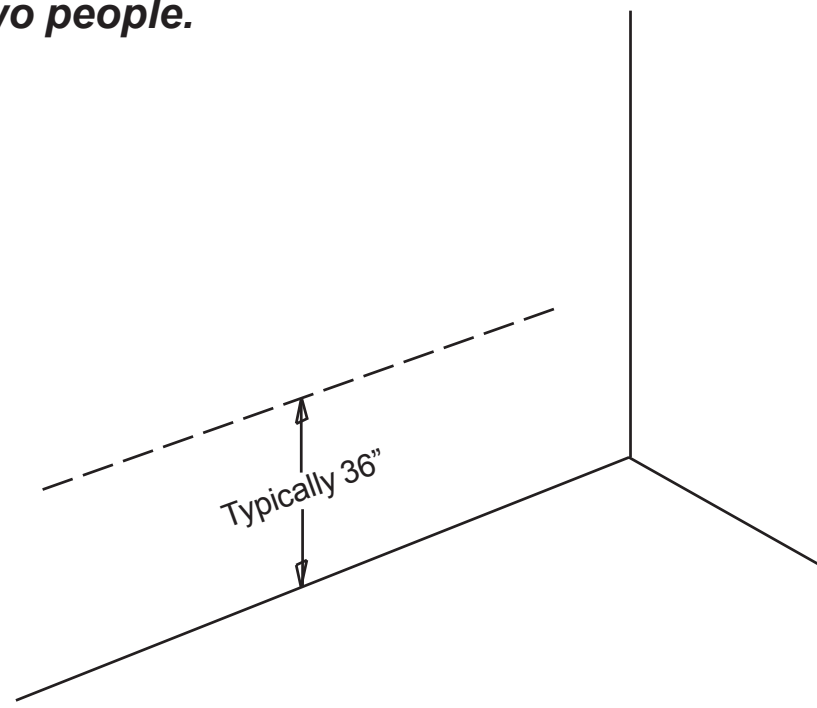
1. Read through instructions from beginning to end before starting this Installation.

2. Mark a straight line on the wall at the height your new Elemental surface will be off the floor.

3. Peel the protective tape from the back of the Elemental skin. Lift the skin by the edges. Curl the sheet back and set the bottom edge on your marked line.

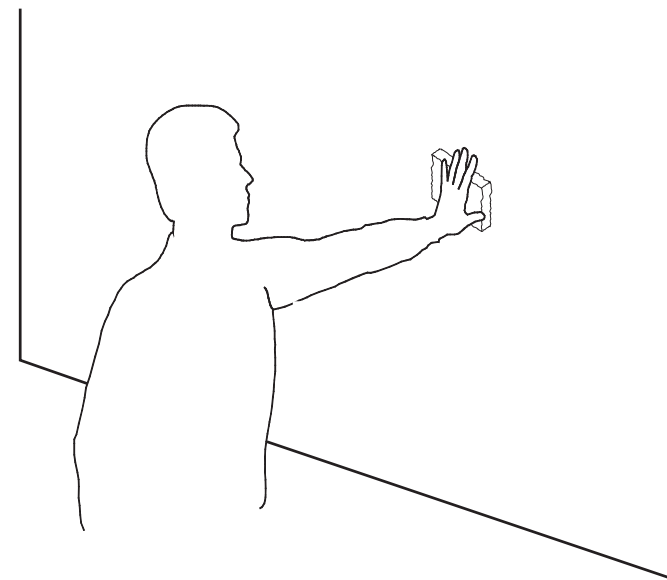
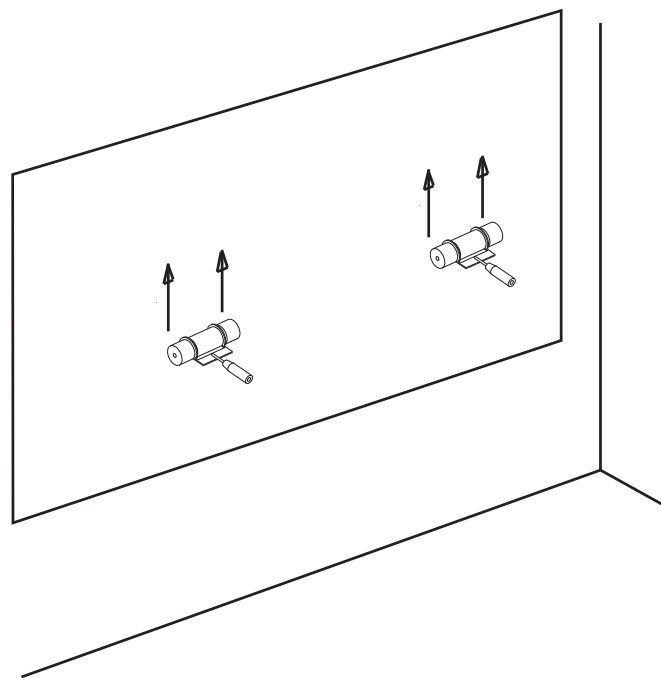
NOTE: This job requires at least two people.

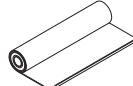

The area where the new Elemental surface is to be installed should be smooth and clean.

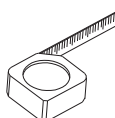
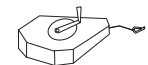
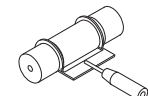



4. Roll the Elemental skin up onto the wall from the bottom to the top. Use a roller to roll the skin onto the wall.

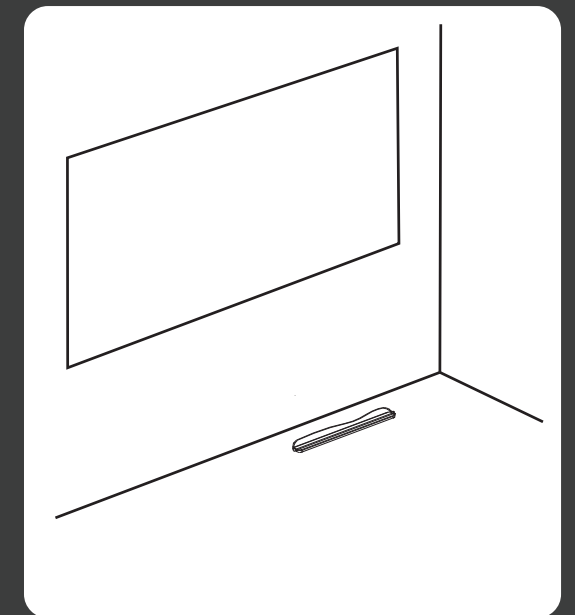
5. Remove the clear film from the surface and clean with sponge, soap and water.



Parts List		
P1		Elemental Surface 1 Roll
P2		Q-Tray 1 EA

Recommended Tools	
	Measuring Tape
	Chalk Line
	Roller
	Sponge

Elemental™ Installation



 **MyWhiteBoards**
Your Dry Erase Experts

Need help? Call us at 1-866-366-1500