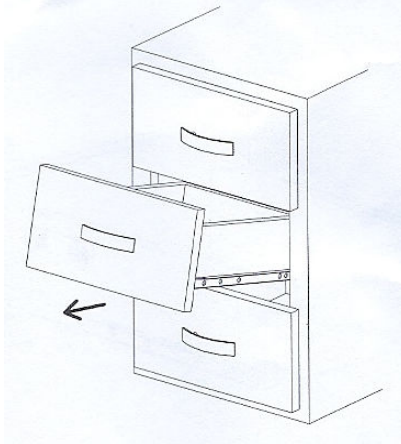
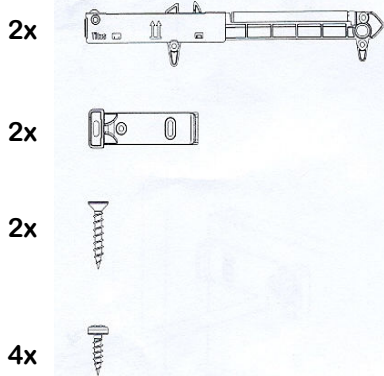


Installing your new



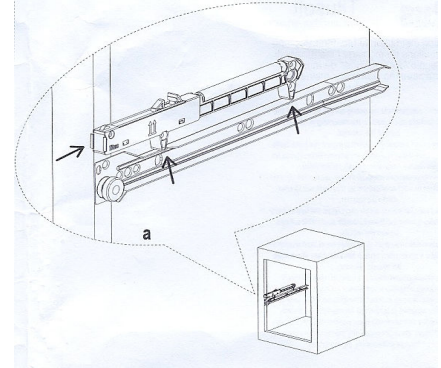
Drawer Silencer™

Parts included in each kit.



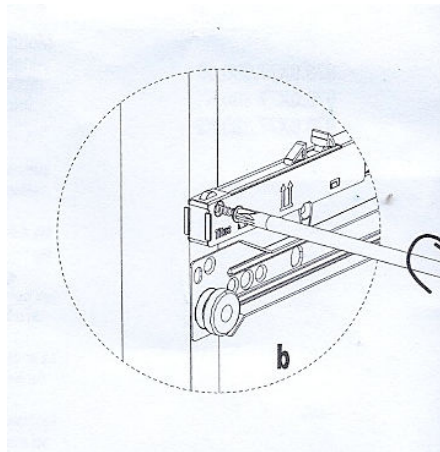
Remove the existing drawer.

1



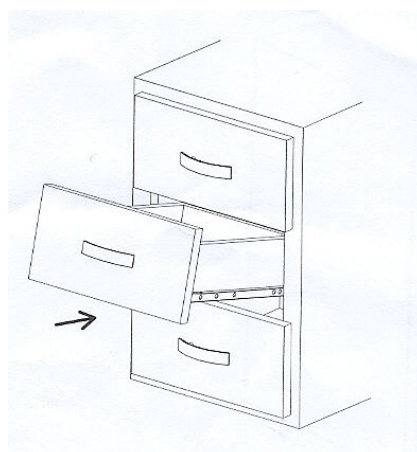
Position the mechanism with the posts resting on top of the drawer slide and the front tab touching the face frame side.

2



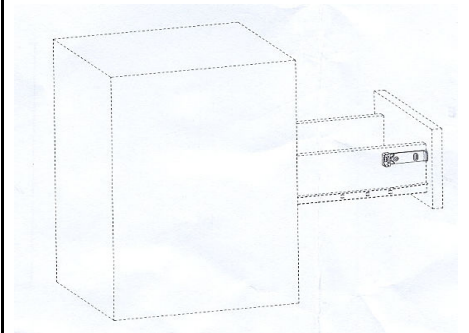
Fasten with 1 screw into face frame. Repeat for the other side.

3



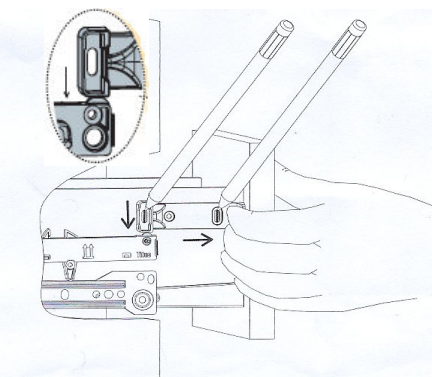
Put the drawer back in the cabinet.

4



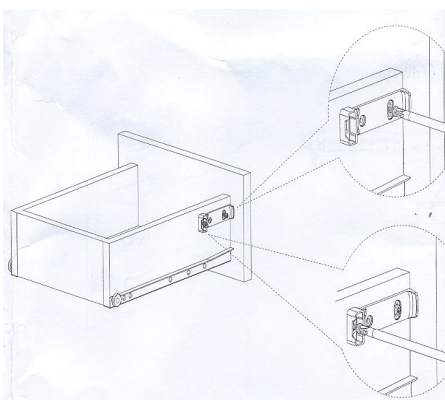
Place the activator against the drawer front.

5



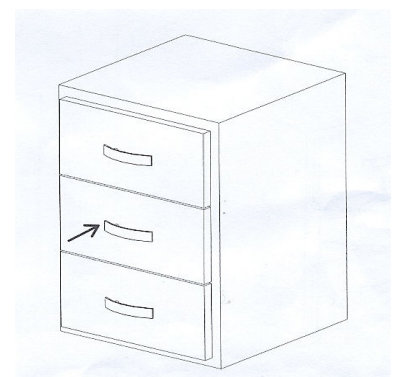
Align the vertical position of the activator with the top of the mechanism in the cabinet. Mark the screw locations.

6



Fasten the activator with 2 screws. Repeat on the other side of the drawer.

7



Test your new Soft-Close drawer. If adjustments are necessary, simply move the activator up or down.

8