



### Models Covered

Classic 70 G2, Classic 70 G2 EXP, Field 90 G2, Field 90 G2 EXP,  
Flyway G2, Flyway G2 EXP, Upland G2, Upland G2 EXP,  
Trashbreaker G2, Trashbreaker G2 EXP, Pro 100 G2, Pro 100 G2 EXP,  
Pro 200 G2, Pro 200 G2 EXP, Pro 500 G2, Pro 500 G2 EXP,  
Sport Basic G3, Sport Combo G3, Sport Upland G3  
*(The above product names are registered trademarks of Tri-Tronics, Inc.)*

### Visit Our Website

[www.tritronics.com](http://www.tritronics.com)

### To Order

Visit our website or call 1-800-456-4343

### Product Information, Product Support & Customer Service

[support@tritronics.com](mailto:support@tritronics.com) • 1-800-456-4343

### General Business

Phone: 520-290-6000 • Fax: 520-722-9000

### Write To Us At

Tri-Tronics, Inc., P. O. Box 17660  
Tucson, AZ 85731



# tri-tronics®

## Owner's Guide

*Covers all G2™, G2 EXP™ and G3™ models.  
Basic training guide included.*

## **G2 Field & Pro, G2 EXP Field & Pro, and Sport G3 Series Remote Trainers**

### **Congratulations on your purchase!**

All Tri-Tronics Remote Trainers are proudly made in the USA.

Tri-Tronics takes great pride in the design, manufacture, service and safety of all our products. We always want to hear from you, our customer. If you have Internet access, you can visit our website 24 hours a day at [www.tritronics.com](http://www.tritronics.com) for the latest information available regarding your product and our support services, for training information, or to purchase accessories for your Tri-Tronics Remote Trainer.

We can also be reached at **support@tritronics.com**  
or by calling toll free **1-800-456-4343**.  
Thank you for choosing Tri-Tronics.

### **Models Covered**

Classic 70 G2, Classic 70 G2 EXP, Field 90 G2, Field 90 G2 EXP,  
Flyway G2, Flyway G2 EXP, Upland G2, Upland G2 EXP,  
Trashbreaker G2, Trashbreaker G2 EXP,  
Pro 100 G2, Pro 100 G2 EXP,  
Pro 200 G2, Pro 200 G2 EXP,  
Pro 500 G2, Pro 500 G2 EXP,  
Sport Basic G3, Sport Combo G3, Sport Upland G3

(The above product names are registered trademarks of Tri-Tronics, Inc.)

## Product Specifications

Product specification features may change without notice or obligation since Tri-Tronics is committed to a policy of continuous improvement.

## Tri-Tronics Patents

Certain Tri-Tronics products are covered by one or more of these U.S. patent numbers: 4794402, 4802482, 5054428, 5099797, 5193484, 5471954, D298872, 4947795, 4202293, 4335682, D410206, 6170439B1, D445706S, D446144S, 6549133, D445707S, 6750758, 6907844, 7000570, and patents pending.

Canada patent numbers: ©105,795

## Owner's Registration Reply Card

Please take a moment to complete and return the Owner's Registration Reply Card. When you do, you'll be "on file" at Tri-Tronics. This will help ensure timely, no-questions-asked warranty work should you need it. You may also register on our website at [www.tritronics.com](http://www.tritronics.com).

First Edition, August, 2006  
Published by Tri-Tronics, Inc., Tucson, Arizona  
Copyright © 2006 Tri-Tronics, Inc.  
All rights reserved. Printed in the USA.

## TABLE OF CONTENTS

MODEL GUIDE – Field & Pro G2 and G2 EXP Series . . . . .	1
MODEL GUIDE – Sport G3 Series . . . . .	13
SETTING UP A MULTI-DOG SYSTEM . . . . .	16
CHARGING THE BATTERIES . . . . .	19
FITTING THE COLLAR ON THE DOG . . . . .	23
STIMULATION . . . . .	24
RANGE . . . . .	26
TRI-TRONICS BEEPER . . . . .	26
REPLACING BATTERIES . . . . .	31
CARE AND CLEANING . . . . .	32
RADIO SIGNAL ISSUES . . . . .	33
FCC COMPLIANCE . . . . .	33
TROUBLESHOOTING GUIDE . . . . .	34
BASIC TRAINING INTRODUCTION . . . . .	40
E-COLLAR BASICS . . . . .	40
BASIC TRAINING . . . . .	41

## **MODEL GUIDE – Field & Pro G2 and G2 EXP Series**

All G2 EXP models can grow with your needs because you can add more receivers to your system (see page 16). G2 non-EXP models cannot be expanded but in general will have the other features of the corresponding G2 EXP model.

### **Classic 70 G2 and G2 EXP**

- G2 – One red button. Trains one dog only, non-expandable.
- G2 EXP – Buttons: Black circled with Orange, Red circled with Green, Blue circled with Yellow. Capable of training up to six dogs with optional EXP receivers. Black, Red, and Blue collar straps included with your original purchase. An accessory pack of Orange, Green, and Yellow straps may be purchased. Your system will come with the receiver matched to the Black position of the dog selection switch.
- 6 levels of continuous stimulation.
- “T” setting – When the intensity dial is set on “T” a stimulation button produces the signal tone instead of stimulation.
- “A” setting – When the intensity dial is set on “A” any transmitter button will operate a Tri-Tronics Beeper or other future Tri-Tronics accessories.

### **Field 90 G2 and G2 EXP**

- G2 – One red button for continuous, one black button for momentary. Trains one dog only, non-expandable.
- G2 EXP – Same as above with a three-way dog selection switch (Black, Red, Blue positions). Capable of training up to three dogs with optional EXP receivers. All collar straps included with your original purchase. Your system will come with the receiver matched to the Black position of the dog selection switch.
- 6 levels of continuous stimulation, 6 levels of momentary stimulation.
- Tone button on back of transmitter.
- “N” setting – When the intensity dial is set on “N” transmitter buttons do not function.

- “A” setting – When the intensity dial is set on “A” any transmitter button will operate a Tri-Tronics Beeper or other future Tri-Tronics accessories.

### **Flyway G2 and G2 EXP**

- G2 – One red button for continuous, two black buttons for momentary. Trains one dog only, non-expandable.
- G2 EXP – Same as above with a three-way dog selection switch (Black, Tan, Green positions). Capable of training up to three dogs with optional EXP receivers. All collar straps included with your original purchase. Your system will come with the receiver matched to the Black position of the dog selection switch.
- 6 levels of continuous stimulation, 18 levels of momentary stimulation.
- Tone button on back of transmitter (camo Flyway only).
- “N” setting – When the intensity dial is set on “N” transmitter buttons do not function.
- “A” setting – When the intensity dial is set on “A” any transmitter button will operate a Tri-Tronics Beeper or other future Tri-Tronics accessories.

### **Upland G2 and G2 EXP**

- G2 – Two black buttons for momentary, one red button for continuous. Trains one dog only, non-expandable.
- G2 EXP – Same as above with a three-way dog selection switch (Orange, Green, Yellow positions). Capable of training up to three dogs with optional EXP receivers. All collar straps included with your original purchase. Your system will come with the receiver matched to the Orange position of the dog selection switch.
- 6 levels of continuous stimulation, 18 levels of momentary stimulation.
- Beeper button on back of transmitter.
- “N” setting – When the intensity dial is set on “N” transmitter buttons do not function.
- “T” setting – When the intensity dial is set on “T” a stimulation button produces the signal tone instead of stimulation.

### **Trashbreaker G2 and G2 EXP**

- G2 – One red button. Trains one dog only, non-expandable.
- G2 EXP – Buttons: Black circled with Orange, Red circled with Green, Blue circled with Yellow. Capable of training up to six dogs with optional EXP receivers. Black, Red, and Blue collar straps included with your original purchase. An accessory pack of Orange, Green, and Yellow straps may be purchased. Your system will come with the receiver matched to the Black position of the dog selection switch.
- 6 levels of continuous stimulation.
- “T” setting – When the intensity dial is set on “T” a stimulation button produces the signal tone instead of stimulation.
- “A” setting – When the intensity dial is set on “A” any transmitter button will operate a Tri-Tronics Beeper or other future Tri-Tronics accessories.

### **Pro 100 G2 and G2 EXP**

- G2 – Two red buttons for continuous, one black button for momentary. Trains one dog only, non-expandable.
- G2 EXP – Same as above with a three-way dog selection switch (Black, Red, Blue positions). Capable of training up to three dogs with optional EXP receivers. All collar straps included with your original purchase. Your system will come with the receiver matched to the Black position of the dog selection switch.
- 18 levels of continuous stimulation, 6 levels of momentary stimulation.
- Tone button on back of transmitter.
- “N” setting – When the intensity dial is set on “N” transmitter buttons do not function.
- “A” setting – When the intensity dial is set on “A” any transmitter button will operate a Tri-Tronics Beeper or other future Tri-Tronics accessories.

### **Pro 200 G2 and G2 EXP**

- G2 – Two black buttons for momentary, one red button for continuous. Trains one dog only, non-expandable.
- G2 EXP – Same as above with a three-way dog selection switch (Black, Red, Blue positions). Capable of training up to three dogs with optional EXP receivers. All collar straps included with your original purchase. Your system will come with the receiver matched to the Black position of the dog selection switch.
- 18 levels of momentary stimulation, 6 levels of continuous stimulation.
- Tone button on back of transmitter.
- “N” setting – When the intensity dial is set on “N” transmitter buttons do not function.
- “A” setting – When the intensity dial is set on “A” any transmitter button will operate a Tri-Tronics Beeper or other future Tri-Tronics accessories.

### **Pro 500 G2 and G2 EXP**

- G2 – Two black buttons for continuous and momentary, toggle selects between modes. Trains one dog only, non-expandable.
- G2 EXP – Same as above with a three-way dog selection switch (Black, Red, Blue positions). Capable of training up to three dogs with optional EXP receivers. All collar straps included with your original purchase. Your system will come with the receiver matched to the Black position of the dog selection switch.
- 18 levels of continuous stimulation, 18 levels of momentary stimulation.
- Tone button on back of transmitter.
- “N” setting – When the intensity dial is set on “N” transmitter buttons do not function.
- “A” setting – When the intensity dial is set on “A” any transmitter button will operate a Tri-Tronics Beeper or other future Tri-Tronics accessories.

### **Antenna**

(One-mile range; two miles on Trashbreaker\*)

Screw the molded antenna into place before using.

Do not operate the remote trainer without a transmitter antenna.

### **Tone or Beeper Control Button**

Activates the no-stimulation signal tone (not on Classic 70 or Trashbreaker G2). Turns Beeper on and off on Upland

### **Grip**

### **Battery Pack**

To change the battery pack, rotate the battery pack slightly and remove from transmitter. Note: If battery pack will not seat properly, turn it around. Be sure the Tri-Tronics logo is facing forward (placed under the transmitter buttons).

### **Charging Contacts**

Place the transmitter in the supplied cradle to charge.

Discharged batteries will take only two hours to fully recharge with our new battery charging system.

*\* Range depends on terrain, weather, vegetation, other radio transmissions in the area, and other factors. For best range, hold the transmitter overhead while transmitting and keep your fingers off the antenna.*





**NOTE:**  
**CHARGE TRANSMITTER**  
**BEFORE FIRST USE.**

**Intensity Dial**

Intensity levels: 1, 2, 3, 4, 5, 6

Line up the number you select with the round light.

“N” (no-stimulation) or “T” (tone) setting, depending on model.

“A” is for future accessories, and for Beeper operation on models other than the Upland.

**Battery Life Indicator (“Fuel Gauge”)**

This light will be:

- Green when the batteries are full.
- Amber when the batteries are partly discharged.
- Red when the batteries need charging very soon.

Rapid red flashing means the batteries are completely dead and the transmitter will not operate the collar. This light is the guide point that indicates the selected intensity level.

**The G2 and G2 EXP Field/Pro Series transmitter is waterproof.**

**Stimulation Buttons**

Buttons vary by model. See the section “Model Guide.”

## Receiver Light

(“Fuel Gauge”)

Flashes twice per second every four seconds when the collar is turned on.

This light will be:

**Green** when the batteries are full.

**Amber** when the batteries are partly discharged.

**Red** when the batteries need charging very soon.

Rapid red flashing means the batteries are completely dead and the unit will not function. Note that it takes 20 seconds after collar turn-on for the light to register battery level.

## Collar Strap Retaining Loops

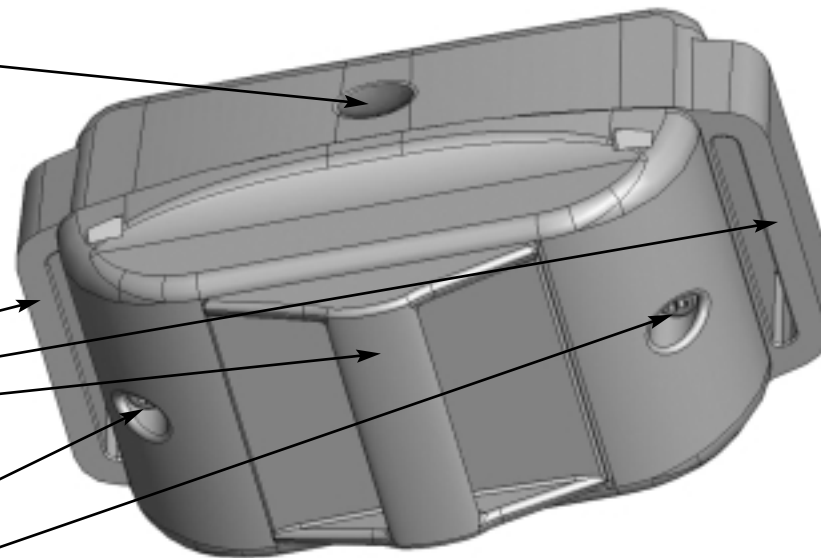
(“Belt Loops”)

The receiver has three belt loops for excellent collar strap attachment with no gap. Insert the collar strap through all three belt loops and snug the strap against case. See the section “Fitting the Collar on the Dog” for more information.

## Battery Pack Access Screws

Remove these two screws to remove the battery pack. Position the new pack in place and replace the screws. (Note: The battery pack does not need to be removed for charging.)

The receiver is waterproof.



**Very important:** Do not remove or tamper with any internal labels that are visible when the battery pack is removed. Doing so will void your warranty. The receiver serial number label is a seal that maintains waterproof integrity of the receiver.

Do not use the collar strap “belt loops” to attach a leash to. They are not designed for this use



**NOTE: CHARGE RECEIVER  
BEFORE FIRST USE.**

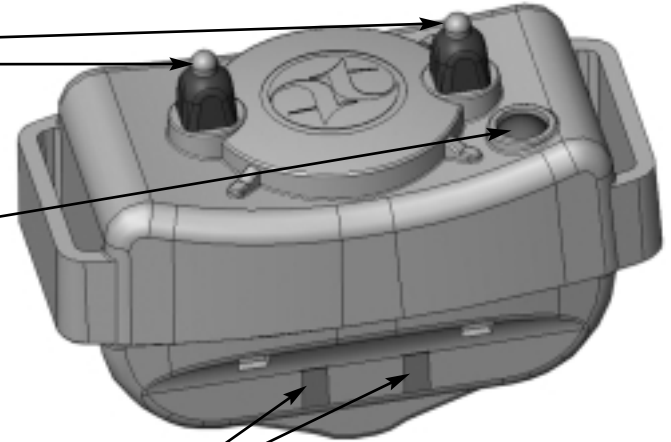
**Contact Points**

Tri-Tronics' patented insulated contact points ensure consistent stimulation under all conditions.

Choose short or long points to match the dog's coat type. Check contact points regularly for tightness. Use only our plastic wrench to remove or tighten and do not over tighten.

**Collar On/Off Button**

Press to turn the collar on. Two confirming tones will sound and the collar light will flash periodically while the collar is on. Press to turn the collar off. One long tone will sound and the light will stop flashing. Turn the collar off when not in use to conserve batteries.



**Charging Contacts**

Place the receiver in the supplied cradle to charge. Discharged batteries will take only two hours to fully recharge with our new charging system.

Place the collar on the dog with the charging contacts facing backwards (facing the dog's chest) to better protect the charging contacts from those elements your dog loves.

## MODEL GUIDE – Sport G3 Series

All Sport G3 models can grow with your needs because you can add more receivers to your system (see page 16 ).

### Sport Basic G3

- Top button controls no-stimulation warning buzz.
- Middle button controls continuous stimulation.
- Bottom button controls momentary stimulation.
- Three-way dog selection switch – Black, Red, and Blue positions. Your transmitter is capable of training up to three dogs with optional EXP receivers. All collar straps are included with your original purchase. Your system will come with the receiver matched to the Black position of the dog selection switch.
- 10 levels of continuous stimulation, 10 levels of momentary stimulation.
- “N” setting – When the intensity dial is set on “N” transmitter buttons do not function.

### Sport Combo G3

- Top button – See mode chart (*on next page*)
- Middle button – See mode chart (*on next page*)
- Bottom button – See mode chart (*on next page*)
- Three-way dog selection switch – Black, Red, and Blue positions. Your transmitter is capable of training up to three dogs with optional EXP receivers. All collar straps are included with your original purchase. Your system will come with the receiver matched to the Black position of the dog selection switch.
- Three-way mode selection switch.
- Up to 20 levels of continuous stimulation, up to 20 levels of momentary stimulation
- “N” setting – When the intensity dial is set on “N” transmitter buttons do not function

## Sport Upland G3

- Top button controls Beeper.
- Middle button controls continuous stimulation.
- Bottom button controls momentary stimulation.
- Three-way dog selection switch – Orange, Green, and Yellow positions. Your transmitter is capable of training up to three dogs with optional EXP receivers. All collar straps are included with your original purchase. Your system will come with the receiver matched to the Orange position of the dog selection switch

### SPORT® COMBO G3 MODE CHART

#### Mode switch in DOWN position:

Upper button – No-stimulation tone

Middle button – Continuous

Lower button – Momentary

#### Mode switch in UP position:

Upper button – Momentary

Middle button – Stronger continuous

Lower button – Milder continuous

#### Mode switch in CENTER position:

Upper button – Continuous

Middle button – Stronger momentary

Lower button – Milder momentary

- 10 levels of continuous stimulation, 10 levels of momentary stimulation.
- “N” setting – When the intensity dial is set on “N” transmitter buttons do not function.

## Sport G3 Transmitter

*The Sport G3 receiver is shown on pages 9-10.*

**Permanent antenna** →

**Light** →

**Intensity dial**

(10 levels – dots between levels indicate half steps)

**Top button** →

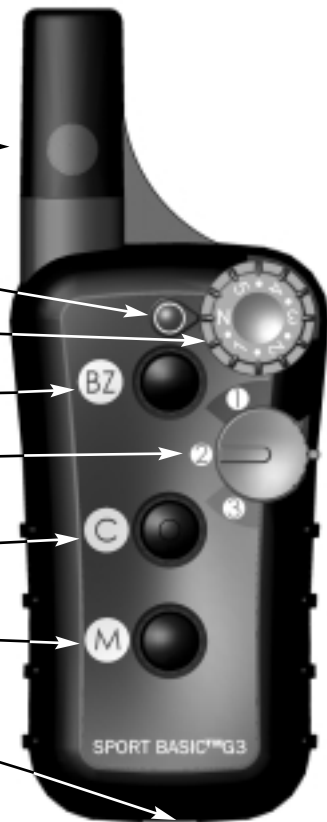
**Dog selection dial**

(dog 1, 2 or 3)

**Middle button** →

**Bottom button** →

**Lanyard attachment point** →



*See Model Guide for button function on your model.*

## SETTING UP A MULTI-DOG SYSTEM

If you have purchased a G2 EXP model or a Sport G3 model, Tri-Tronics' field expandability feature makes it possible for you to expand your one-dog Remote Trainer into a multi-dog Remote Trainer by yourself. Simply purchase additional EXP receivers and add them to your system. You can have a multi-dog Remote Trainer when you need one without placing a special order and the delay of having something built for your system at the factory. It is also easy to replace a lost collar if necessary, right in the field.



**Collar Straps.** A different colored strap should be used on each dog so you know which dog will receive stimulation when you press a button. The strap colors match the colors on the dog selection switch. Your single-dog G2 EXP or Sport G3 system includes two additional collar straps so you can expand any G2 EXP or Sport G3 system to train up to three dogs.

The Classic 70 G2 EXP or Trashbreaker G2 EXP can train up to 6 dogs. If you are adding receivers 4 – 6 to these models, a package of orange, green and yellow straps is available from Tri-Tronics or your favorite dealer.

You can also use any collar strap of your choice that fits through the belt loops of the receiver.

**Adding a Receiver.** To add an additional receiver to your G2 EXP or Sport G3 system, follow these steps.

NOTE: Two additional colored straps were included with your original purchase. Please read all steps before starting.

- Install strap of the desired color on the new receiver and charge new receiver for two hours.
- Set transmitter dog selection switch to the color of the strap.
- Set transmitter intensity dial to a number, not a letter.
- Turn the receiver on.
- Press and hold receiver on/off button, then press and hold a “continuous” transmitter button. Hold both buttons down for about 5 seconds – until you hear two quick beeps (ignore the long beep that sounds right away). Release both buttons.

- Receiver will now be set to match your transmitter, and will be turned off.
- Check for a successful match by turning receiver back on and pressing a “continuous” transmitter button. The receiver light will turn on. If you are not planning to use the unit now, turn the receiver off after testing.

If the transmitter does not operate the new receiver, try the procedure again. If you are still having trouble please call our Customer Service Department.

**Special note for Classic 70 G2 EXP or Trashbreaker G2 EXP.** When adding a receiver for dogs 1 – 3, use the button that matches the strap color and place the dog selection switch in the UP position. When adding a receiver for dogs 4 – 6, use the button inside the colored circle that matches the strap color and place the dog selection switch in the DOWN position.

**Tone or Buzz Option.** You can use your tone or buzz button instead of your continuous button in the above procedure if you prefer.

**Moving a Matched Receiver to a Different System.** An EXP receiver will remain matched to its transmitter until matched to a different compatible transmitter by following the “Adding a Receiver” steps.

**Lost Collar Replacement.** A new EXP receiver may also be used to replace a lost receiver of compatible models. Follow the instructions above.

**Backwards Compatibility.** In some cases an older Field & Pro Series G2 or Sport G2 receiver or transmitter can be used with a G2 EXP or Sport G3 transmitter or receiver, and in other cases they will not be compatible. If you want to combine equipment from these series, please call our Customer Service Department for advice.

## Charging System – Receivers

(Two-Hour Recharge)

The new cradle charging system keeps your receiver batteries in better condition than any previous charging system we've used. The charger charges rapidly – only two hours are needed.

NiMH batteries do not have a “memory” so you can recharge at any time, even if the batteries have not run down. Also, you can leave the unit (or battery pack only) on charge in the cradle at all times when it is not in use, without damage to the batteries.

To recharge, plug the supplied wall cube into household AC power and plug the wall cube cord into the cradle. Insert the receiver into the cradle so that the receiver charging contacts line up with the cradle charging contacts. There will be a positive “snap” feel when the receiver locks into the cradle correctly.

**Do not charge batteries in especially hot areas such as inside a vehicle.**

**Keep the vents on both sides of the charger free of dirt and debris. Do not block the vents.**

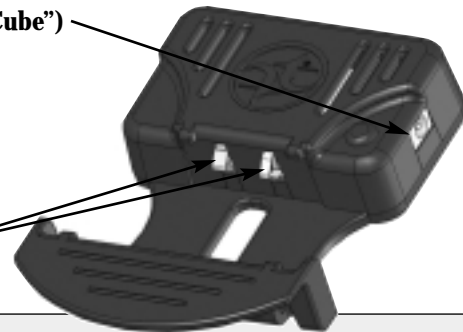
### Charger Light Function

The cradle flashes red and then green briefly when power is applied. When the receiver is charging at full current, the cradle light will be red. When the system switches to trickle charge, the cradle light will be green. The receiver is now fully charged but may be left on charge. If the cradle light is off, power is interrupted, there is no receiver on the cradle, or the receiver is not properly connected.

### Jack for AC Power Supply (“Wall Cube”)

Use only the wall cube supplied by Tri-Tronics with the charging cradle.

### Cradle Charging Contacts



### Battery care tips:

- Charge your system regularly.
- Charge depleted batteries promptly.
- Charge batteries at room temperature. Allow cold batteries to reach room temperature before charging.
- If the receiver charging contacts are very dirty, wash the receiver with clean water and dry thoroughly before charging so that good contact with the charger can be made. Note that the charging cradle is not designed to get wet.
- If the unit is in storage, recharge every four months, and recharge prior to use.

**Important: If the cradle light blinks red slowly when the receiver is in the cradle, please consult the troubleshooting guide.**

## Charging System – G2 and G2 EXP Transmitters

Everything said about the receiver charger in the section “Charging System” also applies to the transmitter charger.

### Cradle Light Function

When the transmitter is charging at full current, the cradle light will be red. When the system switches to trickle charge, the cradle light will be green. The transmitter is now fully charged but may be left on charge. If the cradle light is off, power is interrupted or there is no transmitter on the charger.

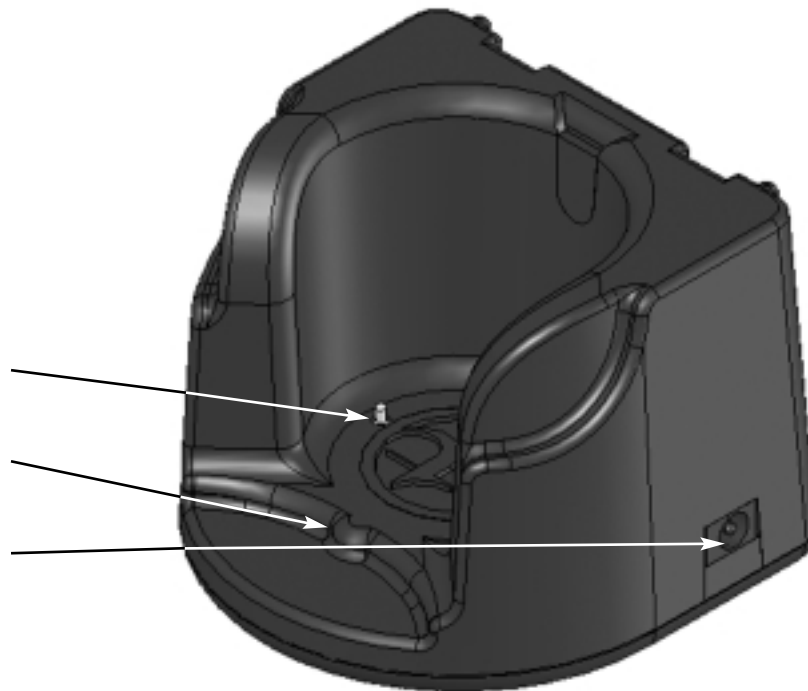
### Cradle Charging Contacts

### Cradle Light

### Jack for AC Power Supply

Use only the correct Tri-Tronics wall cube (supplied with this unit) for this charging cradle.

**PLEASE NOTE THAT THE CHARGING CRADLES  
ARE NOT DESIGNED TO GET WET**



## FITTING THE COLLAR ON THE DOG

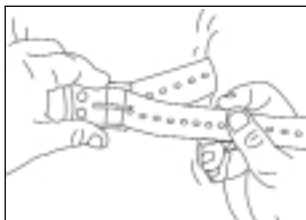


Place the collar strap in the middle of the dog's neck. The receiver should be on the underside of his neck although on some dogs' necks the receiver will naturally seek a slightly off-center position. The receiver light should face forward (towards the dog's nose). The charging contacts should face backwards (towards the dog's chest).

Tighten the buckle by holding it with two fingers as you pull the strap snug. Remote training collars must be put on a dog quite snugly to ensure consistent contact and reliable stimulation. Do not put any fingers under the strap as you tighten it. Slip the free end of the strap through any D-ring or keeper that is present, and through both sides of a double-sided buckle. You can easily adjust the strap for different sized necks by moving the receiver to a new position on the strap. If the strap is too long for your dog, cut off the excess length. Leave enough length to go through the D-ring or keeper with at least 3 inches to spare.

NOTE: Do not cut the collar strap of your Upland unit until you have also installed the Beeper on the strap or your cut strap may be too short to reach around both the receiver and the Beeper.

Please note that Remote Trainers are not designed to be worn continuously by a dog. To prevent irritation caused by rubbing, remove the collar for at least eight hours out of every 24-hour period. See the additional information in the Product Safety section of this guide.



## STIMULATION

Your Remote Trainer has many levels of intensity so you can find the best level for your dog's temperament and the type of training you do. You may also select either continuous or momentary stimulation, depending on your dog's temperament and your training purpose.

**Intensity Selection.** There are two ways to change intensity, with the intensity dial and with the button you choose. When you want a different intensity level, you can move the intensity dial or use a different transmitter button, or do both, depending on your model. This flexible approach to remote training has made Tri-Tronics products the favorite of both experienced trainers and beginners for many years.

The numbers on the intensity dial indicate the stimulation intensity level. These numbers are 1 – 6 on your G2 or G2 EXP unit. They are 1 – 5 with half steps, for a total of 10 distinct dial levels, on your Sport G3 unit. Depending on your button selection and your model, you can use a stronger or milder version of each numbered dial level.

On the Field and Pro models that have a pair of buttons for the same type of stimulation (continuous or momentary), the bottom button of the pair will deliver low and the top button of the pair will deliver medium stimulation for that numbered dial level. Pressing both at the same time will deliver high stimulation for that numbered dial level.

On the Sport Combo G3 with the mode selector set on the upper or middle position ("M/C/C" or "C/M/M"), the bottom button will deliver the milder stimulation and the middle button will deliver the stronger stimulation. This product is not designed for pressing both buttons at the same time.

**Multi-Dog Intensity Tip.** When training more than one dog, check the intensity dial to be sure you have the intensity set for what you want for the dog you are about to correct.

**Other Intensity Dial Functions.** Letters (“N,” “T,” or “A” depending on model) indicate no-stimulation functions.

“N” – Transmitter is disabled. No tone, buzz, beeper, or stimulation functions are possible. This setting is intended for times when your transmitter buttons might be accidentally bumped or pressed.

“T” – The stimulation buttons produce tone from the receiver instead of stimulation.

“A” – Any transmitter button will operate the Beeper. Future accessories will also be operated with this setting.

No stimulation can be produced by the receiver when the intensity dial is set on one of the letters. Set the dial on a number when stimulation is desired.

### **CONTINUOUS AND MOMENTARY STIMULATION**

**Continuous Stimulation.** The trainer controls the timing of “continuous” stimulation. It stays on while the transmitter button is pressed, up to a “time-out” of about 9 seconds. If the stimulation times out, restore function by releasing the button and pressing again. In normal use stimulation does not time out because corrections are far shorter than 9 seconds. You can also tap the continuous button repeatedly for a series of corrections.

**Momentary Stimulation.** The duration of “momentary” stimulation is pre-set. Momentary stays on only briefly no matter how long the button is pressed. To produce a series of momentary corrections, press the momentary button repeatedly.

### **RANGE**

All Field & Pro G2 and G2 EXP Series models have a range of up to one mile except Trashbreaker G2 and G2 EXP, which have a range of up to two miles. All Sport G3 models have a range of up to half a mile.

Your actual range depends on terrain, weather, vegetation, other radio transmissions in the area, and other factors. To improve range, the antenna should not touch your body or anything else while you are transmitting. For the very best range, hold the transmitter overhead while transmitting.

### **TRI-TRONICS BEEPER**

The Tri-Tronics Beeper lets you know where your bird dog is hunting and when he goes on point. The Beeper has a wide choice of settings to suit different hunting styles and individual preferences. You can also keep track of several dogs at one time by the settings you select.

Your Beeper can be turned on and off from a distance with your G2, G2 EXP, or Sport Upland G3 transmitter. Therefore, you can leave the Beeper off most of the time, and only turn it on when hunting conditions require it. If you purchased an Upland G2 or Upland G2 EXP, or Sport Upland G3 model, your transmitter has one button specifically for turning the Beeper on and off. If you purchased any other G2 or G2 EXP Field or Pro Series model, you can turn the Beeper on or off with any transmitter button when your transmitter dial is set on “A.” If you purchased a Sport Basic G3 or Sport Combo G3, you cannot turn your Beeper on or off from a distance, but your Beeper will have all other functions, such as choice of mode, run and point tones, and volume control, described in this owner’s guide.



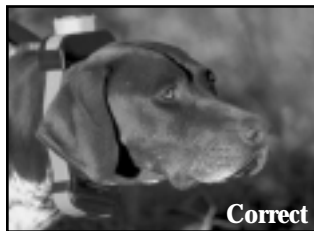
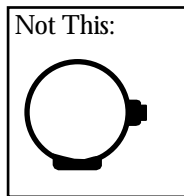
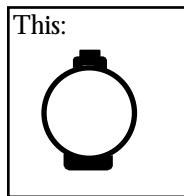
**Battery.** One 9-volt battery is already installed. See “Replacing Your Batteries” in this manual when the battery needs replacement.

**Beeper Modes.** You have a choice of volume, range/point or point-only, four run tones, and two point tones. To change the preset modes, reposition the DIP switches inside the battery compartment as shown in the section “Changing Beeper Settings” on page 29.

**Beeper Placement.** Adjust the position of your Beeper on your collar strap for the size of your dog, taking into account where you want the buckle to be for proper tightening on the dog. The Beeper should ride directly across from the receiver when placed on your dog, with the Beeper on the top of the dog’s neck and the receiver underneath his neck.

The collar strap may be cut off to fit your dog’s neck. Never cut the strap until both the Beeper and Remote Trainer are installed on the strap or your strap will be too short.

Place the Beeper so that the power switch will face towards the dog’s tail when training. This placement prevents the power switch from being brushed against cover as your dog hunts and turning the Beeper off.



**Beeper Power Switch.** The Beeper power must be on for the Beeper to operate. Press the round power switch located on the rear surface of the Beeper. You will hear two tones and the Beeper light will begin flashing. The Beeper will begin beeping as soon as its power is turned on. If you want to silence it until you begin hunting, turn it off with your transmitter (not applicable to Sport Basic G3 and Sport Combo G3). To save Beeper battery life, turn the Beeper power switch off after use.

**Remote Turn-On/Off.** (Does not apply to Sport Basic G3 or Sport Combo G3.) Pressing the Beeper control button turns the Beeper on or off from a distance, up to the full range of your Remote Trainer. Tones confirm “on” and different tones confirm “off.” The Beeper control button is the top button on the Sport Upland G3 and on the back of your transmitter on the Upland G2 or G2 EXP. It is any button on the other G2 and G2 EXP Field & Pro Series models when the intensity dial is set on “A.”

**Locate Feature.** (Does not apply to Sport Basic G3 or Sport Combo G3.) To locate your dog when the Beeper is silent, press and hold the Beeper button. You will hear several tones, letting you know where your dog is.

Note that to operate the remote turn-on/off and locate features, your Remote Trainer must be activated and the transmitter dial not set on “N.” (Dial must be on “A” for the non-Upland G2 and G2 EXP Field & Pro Series models.)

### Beeper Settings

**Volume Control.** Two settings – Low or High

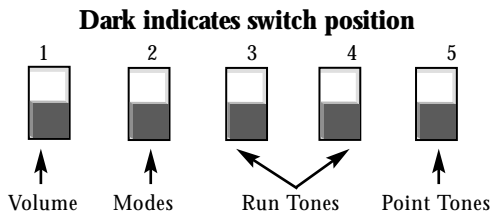
**Modes.** Range/Point or Point-only. In the range/point mode, the Beeper sounds once every 5 seconds while the dog is running, and sounds once every 1 second when the dog goes on point. In point-only mode, the Beeper is silent until the dog goes on point, then sounds once every 1 second.

**Run Tones.** Single Beep, Double Beep, Triple Beep, or Tracking Tone. You may select one of four tones as your run tone. When the Beeper is set on range/point mode, you will hear the run tone every 5 seconds while the dog is hunting. Your hearing and your personal preference will determine which run tone you prefer. You can distinguish among several dogs hunting at the same time by setting each dog's Beeper on a different run tone. The tracking tone reflects some of the actual hunting motion of your bird dog, much like the jingle of the traditional bell. It enables you to keep track of how your dog is hunting better than the beeping of the other run tones. Note that using the tracking tone will shorten battery life and you will need to change the 9-volt battery in the Beeper more frequently.

**Point Tones.** Single Beep or Hawk Scream. You may select one of these two tones as your point tone. You will hear the point tone once every 1 second while the dog is on point. Your hearing and your hunting preference will determine which point tone you prefer.

### Changing Beeper Settings

**Battery Compartment.** Hold the Beeper upside down and unscrew the four Phillips head screws on the bottom of the Beeper. Slide the battery compartment cover along the collar strap to expose the battery compartment and the Beeper DIP switches.

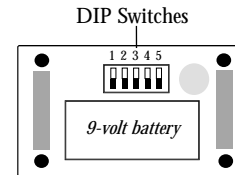


**DIP Switch Settings.** Hold the Beeper so that the switches are on the top edge of the compartment, as shown in the diagram.

You do not need to turn the Beeper off to change the settings or to make the new settings take effect.

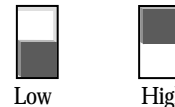
To select your settings, set the switches in the positions shown in the diagram below. The switch is indicated by the dark in the diagram section. All switches except the volume switch make a confirming “chirp” when their positions are changed.

Replace the battery compartment cover when done.

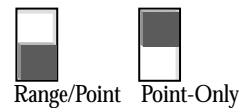


*When setting switches, hold the Beeper as shown*

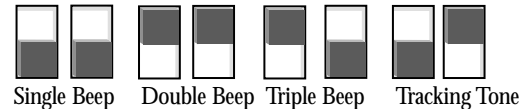
**Volume Switch:**



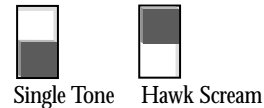
**Modes:**



**Run Tones:**



**Point Tones:**



## **Introducing an Inexperienced Dog to the Beeper**

The Beeper is loud. It can startle or alarm an inexperienced dog at first. If your dog isn't used to beeper collars, begin hunting him with the Beeper set on low volume instead of high volume. You can also muffle the sound by placing duct tape over the horn, or a cotton ball in the horn. Another technique for getting a dog used to beeper collars is to hang a beeper at least 20 yards away from the dog's kennel, and let him listen to it beeping for several hours before you put it on him and hunt.

## **Beeper Care and Maintenance**

Remove the Beeper from the collar strap for thorough cleaning. You can wipe the Beeper with a damp cloth and mild detergent if desired. Do not use any solvents as they can cause damage. Do not submerge the Beeper when cleaning it.

Dirt and debris can cause the Beeper sound to change. To clean debris from the Beeper horn, use only a moistened cotton swab. Do not use any sharp or pointed objects or damage to the horn may result.

## **REPLACING BATTERIES**

### **Sport G3 Transmitter and Beeper Battery**

Your product is shipped with one 9-volt battery installed. This battery will last for many months with normal use. If you see the transmitter light flash rapidly when a button is pressed, it is time to replace the transmitter battery.

To change the battery on your Sport G3 Transmitter, unscrew the four Phillips head screws on the back of the transmitter, and lift the battery cover off.

To change the battery on your Beeper, unscrew the four Phillips head screws on the underside of the Beeper. Slide the cover along the collar strap to expose the Beeper battery compartment.

Remove the old battery and install the new battery in the correct direction. Use a Duracell or Eveready 9-volt alkaline battery. Note that some other brands will be too long and will not fit correctly. Never force a battery into this compartment. Replace the battery cover and tighten the screws (do not over-tighten).

Check for function by turning the Beeper on, or by pressing a button while you watch the transmitter light. If there is no function, you may have installed the battery backwards. If so, take it out and turn it around.

## **Receiver Batteries**

Proper battery care will help ensure maximum life from your rechargeable receiver batteries. When your receiver batteries do need to be replaced, you can replace them yourself with a convenient battery pack obtained from Tri-Tronics. Follow the included instructions.

## **Field & Pro G2 and G2 EXP Transmitter Batteries**

Your rechargeable Field & Pro G2 and G2 EXP transmitter batteries will last for several years with proper care. When they need replacement, the battery pack has a convenient twist-off design ("bayonet mount"), and is easily replaced with a new G2 and G2 EXP transmitter battery pack from Tri-Tronics. Be sure that the Tri-Tronics logo on the battery pack is facing forward (under the transmitter buttons) when you place it for installation. Press it against the transmitter body and twist slightly to secure it.

## **CARE AND CLEANING**

- Check contact points and transmitter antenna for tightness regularly (the Sport G3 Series antenna is permanently attached to the transmitter and does not need to be checked).

- Clean the receiver with clean drinking water if it has been used in salt or brackish water. Clean the receiver charging contacts prior to charging if they are dirty.
- Wipe connections for the cradle with a dry, clean cloth.
- For best battery life, do not store your remote trainer in very warm areas such as the dashboard of a closed vehicle. For best battery performance, avoid transporting or storing your remote trainer in extremely cold areas.
- Please note that the charging cradles are not designed to get wet.

### **RADIO SIGNAL ISSUES**

Modern microprocessor technology virtually eliminates the possibility that your unit could be unintentionally set off by someone else with a Tri-Tronics product. Please contact our Customer Service Department at **support@tritronics.com** or **1-800-456-4343** with any questions.

### **FCC COMPLIANCE**

The manufacturing of Tri-Tronics remote trainers involves exacting production methods, precise tuning, and stringent quality control tests. In addition, these products are manufactured to operate within Federal Communication Commission (FCC) specifications. It is a violation of FCC rules to modify your equipment. Tri-Tronics verifies its products to operate under Part 95 of FCC regulations. Unauthorized modifications to your equipment could result in its not meeting specifications and thus violating FCC regulations. Adjustments should only be performed by technically qualified personnel authorized by Tri-Tronics. To continue to meet FCC operating specifications, any replacement of circuit components including antennas must meet Tri-Tronics' manufacturing specifications. The transmitter should only be operated with the Tri-Tronics antenna installed.

This device complies with Part 15 of the FCC rules. Operation is subject to the following two conditions: (1) This device may not cause harmful interference, and (2) this device must accept any interference received, including interference that may cause undesired operation.

### **TROUBLESHOOTING GUIDE**

#### **Note About Cold Weather Performance**

All batteries experience a normal drop in voltage during cold weather. As a battery powered device, your Remote Trainer can be affected by normal voltage drops during winter months and experience such things as:

- Batteries can run down more rapidly.
- Unit can be “dead” before you expected based on last charging.
- Stimulation can become weaker.
- Unit can turn itself off while training (evidence of low batteries).

#### **For best performance during winter months, follow these guidelines:**

1. Keep the unit at room temperature when it is not being used. Do not store overnight in unheated areas such as vehicles, sheds, or garages. When traveling, transport your Remote Trainer in the passenger cab, not in the back of the truck.
2. Charge the unit at room temperature. If the unit is cold, give it two hours to reach room temperature before charging.
3. Charge more frequently and allow a full 2-hour charge whenever possible. Note: The Remote Trainer may be left on charge when not in use (trickle charge).
4. Check the tri-color battery life indicator for a color change, and always check just prior to training.

**Problem #1: No stimulation when a transmitter button is pressed.**

**The receiver has not been activated.** The receiver must be turned on or it won't work at all.

**The receiver has not been set to your transmitter.** Follow the instructions on page 17.

**The transmitter intensity dial is set on “N,” “T,” or “A.”** Select a numbered position.

**An antenna is not installed in the transmitter, or is broken or loose (does not apply to Sport G3 units).** The antenna must be inserted in the transmitter for proper radio communication between it and the receiver. Check the antenna for physical damage and replace, if needed.

**The batteries in either the receiver or the transmitter are dead.** Recharge or replace, as needed.

**The batteries are not taking a charge.** Either you need new batteries or the charging system is not working. See whether the cradle light is glowing red while connected to the charger. The power may not be working. Try another wall outlet. If using a power strip, make sure it is switched on and working.

**You are using the wrong transmitter.** If you own more than one Tri-Tronics transmitter or train with someone who has a Tri-Tronics product, check that you have not accidentally switched transmitters.

**Problem #2: The Remote Trainer doesn't have range, or the range has been significantly reduced.**

**The antenna is not installed in the transmitter or is broken or loose (does not apply to Sport G3 units).** The antenna must be installed in the transmitter for proper function. Check the antenna for physical damage and replace if needed.

**Either you or the dog is shielded by a metal structure.** Metal fences, chain link dog enclosures, screen doors, buildings, and other metal structures can affect the radio signal. Operate the Remote Trainer away from these structures.

**The receiver is on backwards.** For best range, position the receiver so that the light faces toward the dog's nose.

**You're experiencing temporary radio interference.** Radio signals from nearby CBs and walkie talkies can reduce range. Wait a short while then try again, or move to another area.

**Problem #3: The stimulation seems too high, not high enough, or the dog does not seem to feel it at all.**

**The collar strap is not tight enough.** The collar should be snug. Contact points must press against the dog's skin to provide efficient, consistent stimulation.

**The intensity position is not correct.** The ideal intensity level depends on the dog and the training situation. Try a different level. Also note that in very cold weather, you may need to use a slightly higher setting to achieve the same level of intensity.

**The contact points are too short for the dog's coat type.** Use the long contact points instead.

**The transmitter intensity dial is set on “N,” “T,” or “A.”** Select a numbered position.

**The batteries in either the receiver or the transmitter are dead.** Recharge or replace as needed.

**Debris or contaminants are interfering with electrical stimulation.** Clean the receiver and contact point area.

**Problem #4:** The receiver light changes color to indicate low charge very quickly.

**The unit has been left turned on between training sessions.** Make sure the receiver is turned off after use.

**You are training in very cold weather.** The low battery indicator color change can occur prematurely in very cold weather.

**Problem #5:** The receiver deactivates itself while training.

**The batteries have run down.** The receiver light may require up to 20 seconds to register “low batteries” after you turn the unit on. Check the receiver after 20 seconds to see if the low battery indicator is on. You normally can complete a training session after the low battery indicator flashes, but not in very cold weather.

**Make sure the batteries are well charged.**

**Problem #6:** The cradle light does not come on when the receiver or transmitter is placed on the cradle.

**Faulty cradles.** Email us at [support@tritronics.com](mailto:support@tritronics.com), call **1-800-456-4343**, or visit our website at [www.tritronics.com](http://www.tritronics.com) to order a replacement.

**The battery being charged is very low.** Continue charging.

**No AC current or contact is interrupted.** Check all the connections. Wipe connections for receiver, transmitter and cradle with a dry, clean cloth. Be sure battery pack is securely attached.

**Problem #7:** The charging cradle becomes warm during charging.

**This is not a malfunction.** Heat build-up is normal. Do not charge in extremely warm areas such as a closed vehicle in the sun and be sure the vents are not blocked.

**Problem #8:** The cradle light blinks red slowly when the unit is placed in the cradle.

**The cradle has diagnosed a failure condition in the battery pack being charged. Please call our Customer Service Department.**

## BEEPER PROBLEMS

**Beeper Problem #1.** The Beeper does not make any sound when the power switch is turned on.

**The battery in the Beeper has run down.** Replace as needed. Note that leaving the Beeper turned off when not in use will extend its battery life. Also note that using the tracking tone will shorten battery life.

**Loose battery connection.** Gently pull the metal tabs in the Beeper battery compartment to hold the 9-volt battery more firmly.

**Beeper Problem #2.** Pressing the Beeper control button on the transmitter does not turn the Beeper on or off.

**The Beeper power switch is off.** Turn the Beeper power switch on.

**The receiver has not been turned on.** Turn the receiver on as described in the Remote Trainer Owner’s Guide.

**The intensity dial is set on N” or “T”.** Select a setting other than N” or “T”.

**Transmitter is not set on “A”** (non-Upland G2 and G2 EXP Field & Pro models only). Set the transmitter dial on “A” when you want to turn the Beeper on or off.

**The Beeper is not directly across from the receiver.** Slide the Beeper along the collar strap to achieve the orientation shown in the illustration in the “Quick Guide.”

**The 9-volt battery in the Beeper is dead.** Replace as needed.

**The batteries in the receiver or transmitter need charging.** Recharge as recommended in the Remote Trainer Owner's Guide.

**Loose battery connection.** Gently pull the metal tabs in the Beeper battery compartment to hold the 9-volt battery more firmly.

**You are using the wrong transmitter.** If you own more than one Tri-Tronics transmitter or train with someone who has a Tri-Tronics product, check that you have not accidentally switched transmitters.

**You are using a Remote Trainer model that does not have the Beeper control feature.** Check the Owner's Guide for your model to determine if it can operate a Tri-Tronics Beeper remotely. Or call our Customer Service Department to find out.

**Beeper Problem #3. The Beeper sound quality has become muffled or distorted.**

**Dirt or debris has become trapped in the horn.** Remove trapped debris as described in the "Care and Maintenance" section.

**Beeper Problem #4. The Beeper light is on but the Beeper isn't working.**

**The Beeper battery is getting low.** Replace the battery.

**Beeper Problem #5. The Beeper is changing modes on its own or is turning itself on and off without receiving a signal from the transmitter.**

**The Beeper battery is getting low.** Replace the 9-volt battery.

**Loose battery connection.** Gently pull the metal tabs in the Beeper battery compartment to hold the 9-volt battery more firmly.

## **BASIC TRAINING INTRODUCTION**

This training program, covering "Sit/Stay," "Heel" and "Here" is also shown in the Basic Training DVD included with all Field and Pro and Sport Series products and features J. Paul Jackson of Lone Oak Retrievers.

When used properly, the e-collar is a very effective tool to aid your dog in reaching its full potential. However, the use of an e-collar is not a short cut. It should be used as part of an overall training program. Don't make training sessions too complex initially by training several commands during the same training session. The dog will probably become confused and training could progress more slowly. Dog training is part art – know when to go faster, slower and when to take a break.

## **E-COLLAR BASICS**

### **Contact Points and Collar Position**

Before you begin using your e-collar you must first select the correct contact point length for your dog's coat type. Be sure the receiver is turned on. Next place the receiver on the dog in a position such that the receiver is under the dog's neck. The collar strap should then be pulled snug so the contact points of the receiver make good contact with the dog's skin. The collar should ride snugly in place high on the dog's neck.

### **Choosing the Right Intensity Level**

Selecting the intensity suitable for training your dog is next. You should begin using a low level of stimulation and observe the dog's response. If there is no reaction, such as a head shake, neck movement or just a change in expression, increase intensity by one level. Keep increasing the level of stimulation until there is a positive reaction from the dog. Please keep in mind that sometimes dogs will vocalize due to the surprise of the electrical stimulation. But if the dog vocalizes more than once, your level is too high for beginning training. Turn it down.

## **BASIC TRAINING**

Training should begin by teaching the dog a few basic commands (sit/stay, heel, here) using a leash. Once the dog responds consistently to the command on lead you can start to condition the dog to the e-collar.

### **Heel**

The first command that you will teach the dog is the “Heel” command. The training should begin on leash and in an area with minimal distractions. With the dog at your side command “Heel” and begin walking forward while at the same time pulling gently on the leash. If the dog gets in front of you, before the leash becomes tight, make a turn away from the dog and repeat the command “Heel.” Should the dog start to lag behind you, give light tugs on the leash to bring him back to your side. With plenty of repetition, consistency, patience and a lot of praise, the dog should begin to walk beside you with some amount of stability in just a few short training sessions.

### **Sit/Stay**

After the dog has begun to grasp the concept of walking at heel on lead it is time to introduce the Sit/Stay command. The actual command is “Sit,” and the “Stay” is implied. In other words, when you tell the dog to sit he should stay until you indicate otherwise.

You should begin training this command with the dog walking on lead in the heel position. Then simply stop, pull up on the leash and tell the dog to “sit” while maintaining steady pressure on the lead until the dog complies. Initially, the dog will almost certainly be confused, and you may need to gently push down on the dog’s back just above his flank to make him sit. Be sure to reward compliance with plenty of praise. As with all training, repetition, consistency and patience are the keys to achieving success.

### **Here**

The last basic obedience command is “Here”. With the dog in a sitting position simply move away to the end of the leash and command the dog to come “here” while giving a gentle tug to the leash. Do not be surprised if you meet some resistance at first. After all, up until this point you have been teaching the dog to sit and stay in one place.

## **Using the Collar as a Training Tool**

### **Collar Introduction**

Once the dog demonstrates that he has a grasp of the concepts of these three basic commands the e-collar can be introduced.

During the initial stage of collar introduction the dog learns that collar stimulation means the same thing as a leash tug. All work during this step of the training process should be done on lead to maintain control and a safe working environment.

Begin by walking the dog on leash with the e-collar on and in place. With the leash held short, command “Sit” while pulling up on the leash just as you did earlier. At the same time press a stimulation button briefly at the level you have selected for this dog. At first the dog may be alarmed by the electronic stimulation. Once again, the key here is to be patient and consistent and to not start off at too high of an intensity. With repetition and a lot of praise, the dog will soon begin to demonstrate consistent, stable response to the command “Sit.” Also, as you repeat this training the dog should begin to respond more quickly. As the dog becomes more responsive, you should begin to stimulate intermittently – at times giving the dog a “freebie.” This will help keep the dog’s attitude upbeat, and let you know that the dog is responding to the command rather than just the collar.



Remember that if the dog doesn't respond to the stimulation level you have selected, turn it up one level at a time until you achieve the appropriate response. Once the desired response is achieved, the stimulation level can be lowered as long as the dog maintains consistency.

### **Heel with the E-collar**

You should continue the collar introduction process by moving from stimulating to "sit" to stimulating to "heel." This progression should be made after the dog begins to demonstrate that it has properly associated the collar stimulation with the command to "sit." Many dogs will indicate that it is time to make this transition by trying to sit before being commanded to do so in an effort to avoid the stimulation associated with the command.

Once again, you will begin by walking the dog on lead at heel. Should the dog try to sit or lag behind you should stimulate the dog while tugging on the lead and commanding "heel." If the dog tries to move ahead of you tap a stimulation button briefly, repeat the command, and move in another direction or pull back on the lead. As the dog begins to show a consistent response to the command "heel," the e-collar can be used less often.

Be sure to give your dog a "freebie" now and then once he becomes more responsive, and always praise a job well done.

### **Teaching the "Here" Command with the Collar**

This is perhaps the most important command that your dog will ever learn. The here command helps you maintain control of the dog, and it allows you to pull him away from potentially dangerous situations. Due to its importance it is imperative that this command be taught correctly. Therefore, you should only

begin to teach the dog the here command with the collar after the dog has been taught the sit/stay command and demonstrates that he understands the collar for the "sit" and "heel" commands.

As with the other phases of collar introduction you will begin stimulating the dog to "here" on lead. You may even want to use a "long line" or 20 foot leash. Begin by putting the dog on a sit/stay position and then moving away from him. Turn around to face the dog and command "Here." At the same time tug on the line and press a stimulation button briefly to help the dog move toward you. Be sure to reward the dog with lots of praise whenever he comes after being called. As with the other commands, you can start to introduce distractions as the dog's proficiency increases.

**Cautionary note:** Teaching this command may be a little confusing to the dog at first. After all, in earlier training he got corrected if he moved from the "Sit" position on his own. Now if he remains sitting when called he is getting corrected to make him come to you. Therefore, consistency and patience are perhaps more important here than ever, together with plenty of praise whenever he does it right.

### **Training with the Collar Only**

After the dog begins to respond consistently to the command during collar conditioning, typically after about 5 or 6 training sessions, you can remove the leash and train with just the e-collar. As the dog becomes more proficient with these commands, you can begin to introduce distractions, such as rolling a ball in front of the dog or walking him in the presence of others.

Eventually in most training circumstances all your commands will be "freebies" (no stimulation given with the command). You will use stimulation anytime you need to repeat a command because the dog did not obey the first one.

As the dog becomes better trained, the use of an e-collar will gradually decrease. However, you should continue to have the dog wear the collar until you feel certain that it is no longer needed to reinforce known commands. Abandoning the collar too early can lead to problems in the future. Remembering to be fair and consistent in using the collar as a training tool will help you avoid most problems, and it will allow you to help your dog reach his full potential.

