

*****NOTE:** To make complete use of the adaptor and light, purchase one scope ring that fits a rail type of mount. Rings are available from several vendors including:

Leupold - www.leupold.com

Millett - www.millettsights.com

Ebay - www.ebay.com



Product Information
Visit Our Web Site
www.tritronics.com

Product Support
Customer Service email at:
support@tritronics.com
or call: 1-800-456-4343

140-4600A

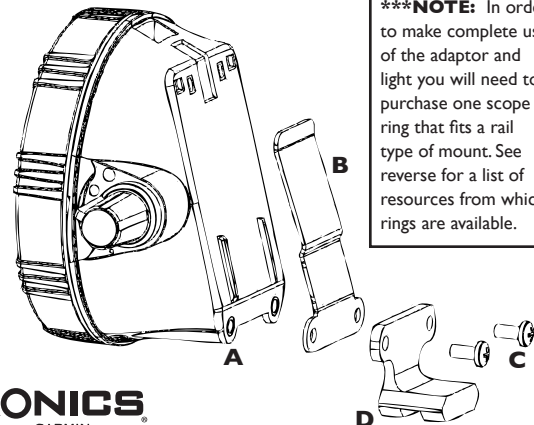
NIGHTRAZOR

Riflescope Mount Adaptor Use Instructions

Thank you for purchasing the Tri-Tronics **NIGHTRAZOR** scope mount adaptor. Completely read these instructions before installing the adaptor.

1. Remove the two screws (C) holding the cap bracket (B) to the light from the back of the **NIGHTRAZOR** body (A).
2. Insert the screws through the riflescope mount adaptor* (D) and then install the adaptor to the back of the light body (A).
3. You can have the cap bracket (B) attached or not, it is your choice.
4. Install the scope ring (not included) on your rifle.***
5. Install the light with adaptor to the scope ring.
6. Ensure that all screws are tight.

You are ready to use the **NIGHTRAZOR** with your rifle.



*****NOTE:** In order to make complete use of the adaptor and light you will need to purchase one scope ring that fits a rail type of mount. See reverse for a list of resources from which rings are available.



D
*The riflescope mount adaptor may be installed either direction.