

# TRADITIONS™

## PERFORMANCE FIREARMS

### COMPETITIVE BLANK PISTOL MODEL BP6001

#### LOADING, SHOOTING & CARE INSTRUCTIONS

##### WARNING

This blank pistol is chambered to fire only 209 shotgun primers. This pistol is not to be used with any loaded ammunition containing any type of projectile nor with any powder activated fastening devices. Damage to mechanism caused by shooting without 209 primers in the chambers will not be covered under warranty.

##### TO LOAD

Push the release button (14) located on left side of the frame (1), all the way in to release the cylinder (8). Rotate the cylinder/ejector rod assembly out of frame to expose the five chambers. Load 209 primers into chambers. Securely close cylinder. Be certain that it is closed securely.

##### TO SHOOT

This pistol will fire in either single or double action mode. For single action, pull hammer (2) all the way back to full cock position then pull the trigger (3) to fire. For double action, with the hammer at rest against the frame, pull the trigger to fire.

##### TO REMOVE CARTRIDGES

Push the release button (14) located on left side of frame. Rotate the cylinder/ejector assembly (8) out to the left. Push the ejector rod (5) rearward to eject the cartridges.

##### CARE OF GUN

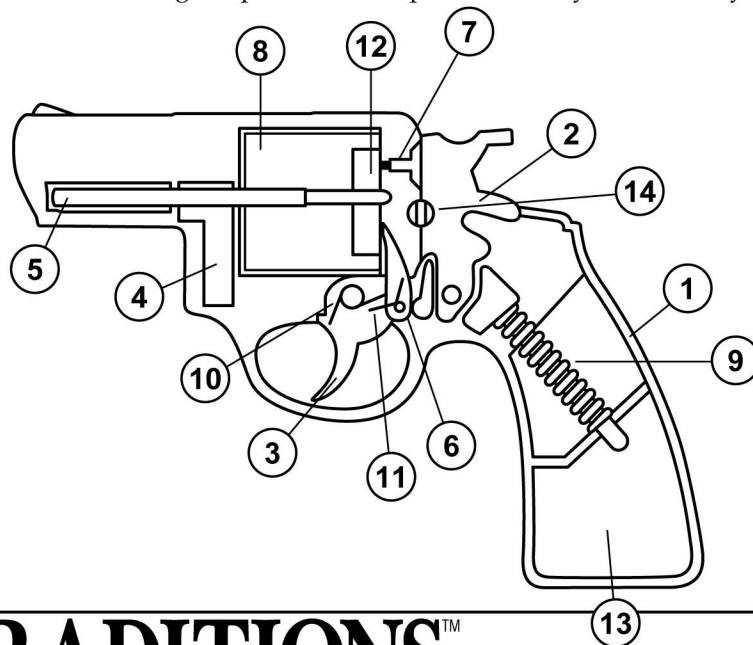
For many years of dependable service, the gun must be cleaned and oiled periodically and always after each use. Remove powder and dust traces from gun and cylinder chambers and place a drop of oil on all moveable parts. Apply the same oil to a soft cloth and wipe outside of gun for protection against rust.

##### WARRANTY

One (1) year limited warranty. You will need to retain an original purchase receipt to validate your warranty.

##### PARTS LIST

1. Frame
2. Hammer
3. Trigger
4. Swing-out lever
5. Ejector rod assembly
6. Sear
7. Firing pin assembly
8. Cylinder
9. Hammer spring
10. Trigger spring
11. Sear spring
12. Ejector disc
13. Grips
14. CylinderRelease Button



##### WARNING

- ALWAYS WEAR SAFETY GLASSES AND HEARING PROTECTION
- HANDLE THIS BLANK REVOLVER AS YOU WOULD ANY FIREARM
- KEEP OUT OF REACH OF CHILDREN
- NEVER AIM AT A PERSON OR ANIMAL

# TRADITIONS™

## PERFORMANCE FIREARMS

1/03 - 6001 I

1375 Boston Post Road • P.O. Box 776 • Old Saybrook, CT 06475 • TEL: 860-388-4656 • FAX: 860-388-4657

[www.traditionsfirearms.com](http://www.traditionsfirearms.com)

Visit [Gun Dog Supply.com](http://GunDogSupply.com)

Order a Kimar Tradition Double Action 209 Primer Pistol

**TRADITIONS™**  
**PERFORMANCE FIREARMS**



**BP6001**

**COMPETITIVE BLANK PISTOL GUN**

**8 Shot Blank Revolver**

*Crimped 209 shotgun primers only*

**Made in Italy**

