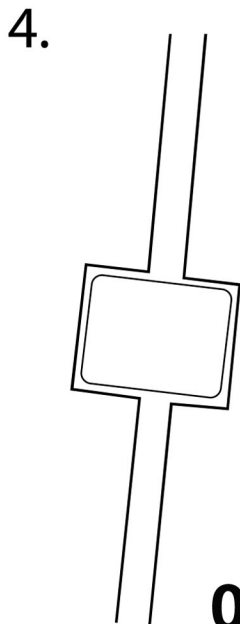
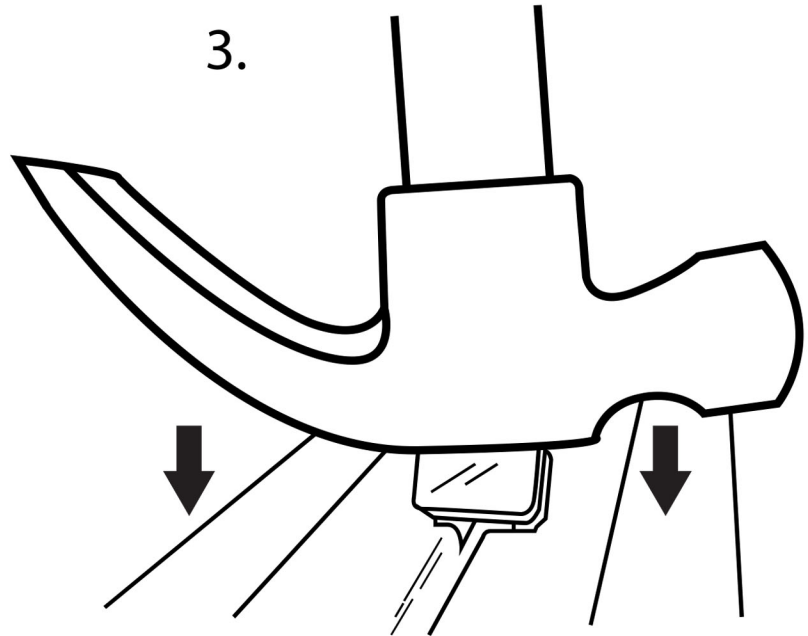
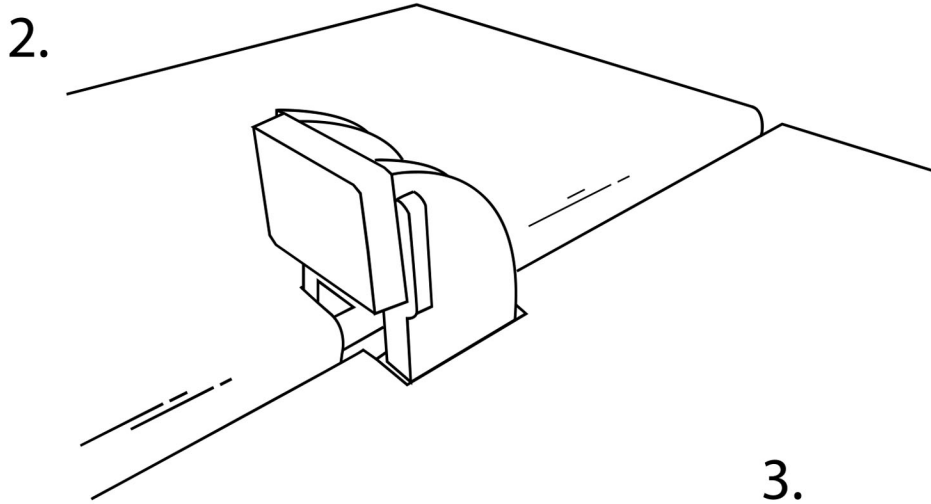
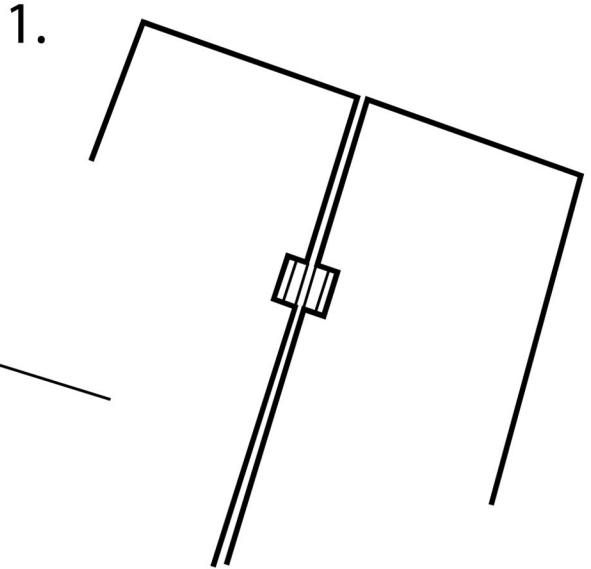


(4 clips per section)

Directions

1. Line Up both sections parallel so the notch holes are square.
2. Insert clip as illustrated
3. Use the end of a hammer or a blunt face object to press clip down into position.
4. Clip should be flush with the top surface of the section.



**VISIT GUN DOG SUPPLY.COM
ORDER A KENNEL DECK PLATFORM
SEE OTHER KENNEL SUPPLIES**