

FLUID SECTION SEAL REPLACEMENT INSTRUCTIONS

KIT 0512228 (MODELS 9140, 9140S, AND 9150)

KIT 0512229 (MODELS 9170, 9190, AND 9210)



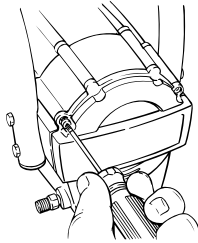
WARNING



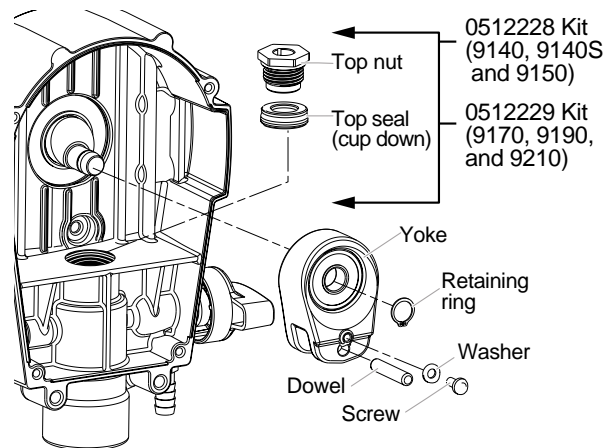
Always wear protective eye wear while servicing the pump. Be sure to follow the **PRESSURE RELIEF PROCEDURE** (page 6) when shutting the unit down for any purpose, including servicing or adjusting. After performing the pressure relief procedure, be sure to unplug the unit before servicing or adjusting. Area must be free of solvents and paint fumes.

DISASSEMBLY OF THE FLUID SECTION

1. Remove the suction set.
2. Remove the front cover and the four screws that secure it using a T20 Torx head driver.
3. Remove the yoke screw and washer that secures the dowel pin. The dowel pin connects the yoke to the piston.
4. Using the pliers, pull the dowel pin out.
- 5a. **For models 9140, 9140S, and 9150**, rotate the pump shaft so the piston is in the top dead center position. This can be done by pushing on the yoke. This is required to disassemble all the parts.
- 5b. **For models 9170, 9190, and 9210**, inspect the yoke assembly and piston. In order to remove all the necessary parts, the piston must not be in the bottom dead center position. If the piston is at the bottom of the stroke, install the front cover and screws, turn the pump on briefly to index the piston, unplug the unit, and repeat step 2.
6. Unscrew and remove the inlet valve assembly using an adjustable wrench.
7. Remove the piston assembly by pushing down on the piston near the yoke.
8. Unscrew and remove the top nut using an adjustable wrench.
9. Remove the worn seals using a flat head screwdriver or punch. Remove the top seal from the top and the bottom seal from the bottom by pressing against the side of the seal and popping it out. Be sure not to scratch the housing where the seals are located.
10. Clean the area where the new seals are to be installed.

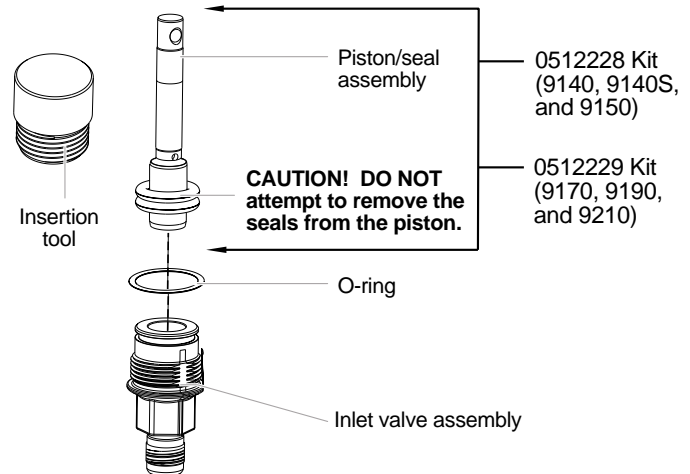
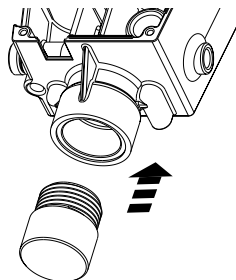


- used. Be careful not to damage the piston.
6. Apply any type of household grease to the piston and yoke area to prolong life. Apply to the holes in the yoke where the dowel is inserted.
7. Install the dowel pin to connect the yoke to the piston. The piston may have to be moved up or down to do this.
8. Install the yoke screw and washer to secure the dowel pin.
9. Turn pump right side up and apply a few drops of Wagner Separating Oil or light household oil between the top nut and piston. This will prolong the seal life.
10. Install front cover and four (4) screws.
11. Install the suction set.



ASSEMBLY OF THE FLUID SECTION

1. Lubricate the new top seal with Separating Oil (P/N 0154908) or light household oil and by hand place the seal (cup side of seal down) into the top port of the housing.
2. Place a small amount of anti-seize on the threads of the nut. Place the top nut into the top of the housing and tighten with an adjustable wrench. This will drive the top seal into the correct position.
3. Turn the pump upside down. Lubricate the seal on the piston/seal assembly similar to the top seal. Place the piston/seal assembly into the bottom of the housing. Insert the plastic insertion tool and thread into position to properly seat the piston/seal. Thread fully until tight. Remove the insertion tool.
4. Install the new O-ring on the inlet valve assembly, lubricate with Separating Oil (P/N 0154908), thread into the bottom (inlet) of the housing, and tighten with an adjustable wrench. This will drive the bottom seal into the correct position.
5. Align the piston with the yoke. A rubber mallet may be



SERVICE NOTE--MODEL 9210

The inlet check ball is a wear part. Erosion of the check ball can result in a loss of performance similar to a worn piston and seals. Inspect the inlet ball by removing the inlet valve assembly. If worn, replace the assembly with P/N 0512224. This part number is available at Wagner authorized service centers or by calling 1-800-880-0993.