

HID 39W 120V/277V BF

SPECIFICATIONS

Standards

UL and C-UL Listed
 UL File #E 302477
 RFI FCC Part 18 Class A
 Sound rating Class A
 Rating Outdoor Type 1

Available Versions

901039120HIDBF – Bottom Feed Version
 901039120HIDBF-TM- for Mini Master Color only
 901039277HIDBF – Bottom Feed Version
 901039277HIDBF-TM- for Mini Master Color only

Electrical

Input voltage for 120V	120V+/-10%
Input voltage for 277V	277V+/-10%
Input frequency	50Hz, 60Hz
Input current for 120V	0.36A, 120V
Input current for 277V	0.16A, 277V
Inrush current	<10A
THD	<10%
Power factor	>0.99
Efficiency	89% at 120V
Output power	39W +/- 2%
Lamp frequency	200Hz
Current lamp crest factor	<1.1
Ignition voltage for 901039120HIDBF	4KV (max)
Ignition voltage for 901039120HIDBF -TM	1.5KV (max)
Ignition voltage for 901039277HIDBF	4KV (max)
Ignition voltage for 901039277HIDBF-TM	2KV (max)
Lamp ballast distance	6m max

Short Circuit and Thermal Protection

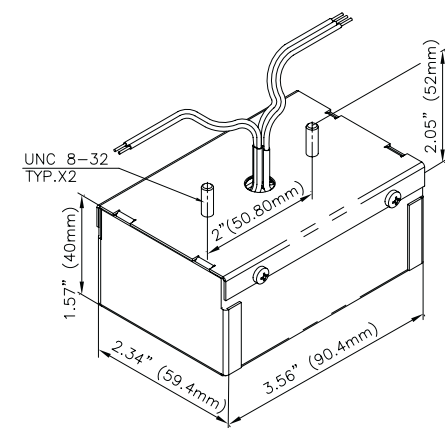
Thermal protection	Auto Reset
Short circuit protection	Auto Reset
Open circuit protection	Auto Reset
End of lamp life protection	Reset
Transient protection	

Temperature

Operating temperature -25°C...+50°C
 Max. case temp. 85°C
 Max. ambient temp. 50°C

Mechanical

Aluminum case
 Input wire (white, black) 8", 18AWG
 UL1015 105°C 600V
 Ground wire (green) 8", 18AWG
 UL1015 105°C 600V
 Output wire (red, purple) 8", 18AWG
 UL3135 150°C 600V
 Overall dimensions (in.) 3.56X2.34X1.57
 (mm) 90.4X59.4X40
 Weight 0.4Kg



See reverse side for more information →

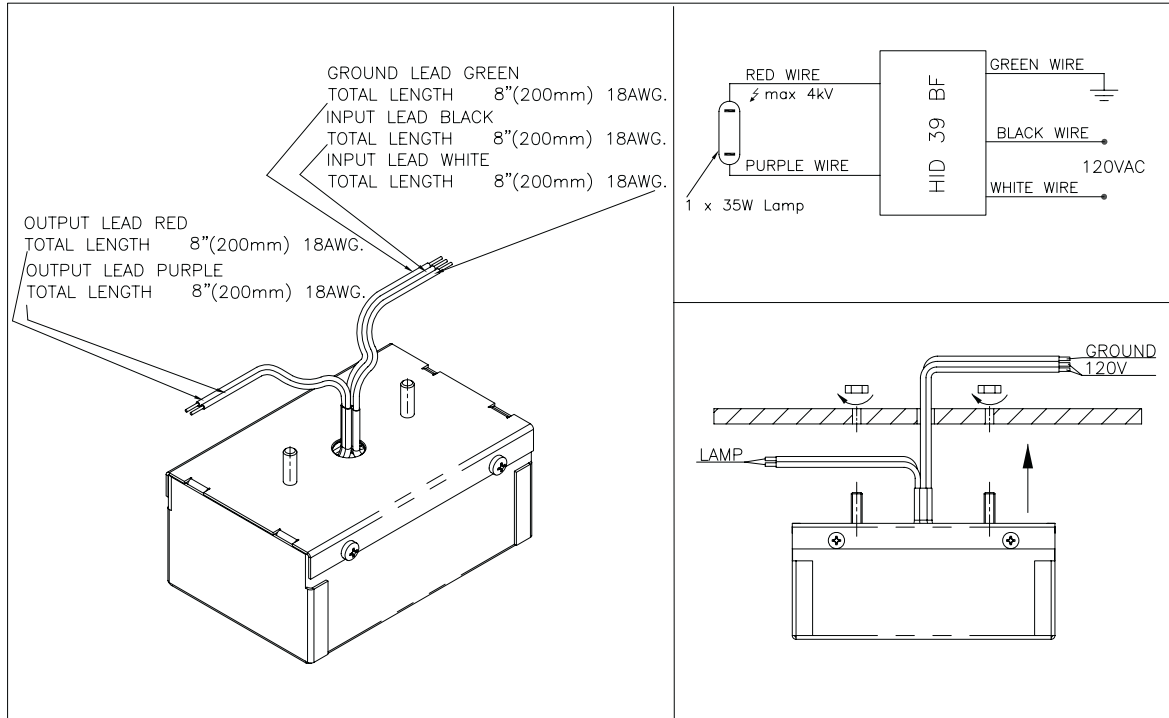


WWW.LIGHTTECHINC.COM

www.lighttechinc.com

HID 39W 120V/277V BF

Mounting Instructions



Safety Instructions:

1. Do not connect lamp leads to phase, neutral and ground input wires.
2. Always disconnect power to the entire fixture before installation and/or removal ballast or controls.
3. Ballast green wire must be grounded.
4. Install in accordance with national and local electrical codes.
5. Dispose of any replaced ballasts and lamps properly.
6. Wires: Input and output wires 18 AWG

Metal Halide Lamps

Suitable for SKUs: 901039120HIDBF, 901039277HIDBF
35/39W lamp, ANSI code M130

Lamps Manufacturer	Description	Lamp Holder	Nominal Current A
GE	CMH 35/T	G12	0.50
	CMH 35/TC	G8.5	0.50
	CMH 35/PAR	E27	0.50
Osram	HCI-T 35...	G12	0.53
	HQI-T 35 W/WDL	G12	0.53
	HQI-T 35 W/WDL/BU	G12	0.53
	HCI-TC 35 W/WDL	G8.5	0.53
	HCI PAR30	E27	0.53
Philips	CDM-R 35W	E27	0.53
	CDM-T 35W	G12	0.53
	CDM-TC 35W	G8.5	0.53
	CDM-R111	GX5.5	0.53

Lamps Manufacturer	Description	Lamp Holder	Nominal Current A
Radium	RCI-T 35	G12	0.53
Sylvania	Britespot ES 50	GX10	0.53
	Britespot ES 111	GX10	0.53
Venture	HIE 35/x/x	E27	0.53

Suitable for SKUs: 901039120HIDBF-TM, 901039277HIDBF-TM
35/39W lamp, ANSI code C179/E

Lamps Manufacturer	Description	Lamp Holder	Nominal Current A
Philips	CDM-TM 35W	PGJ5	0.42