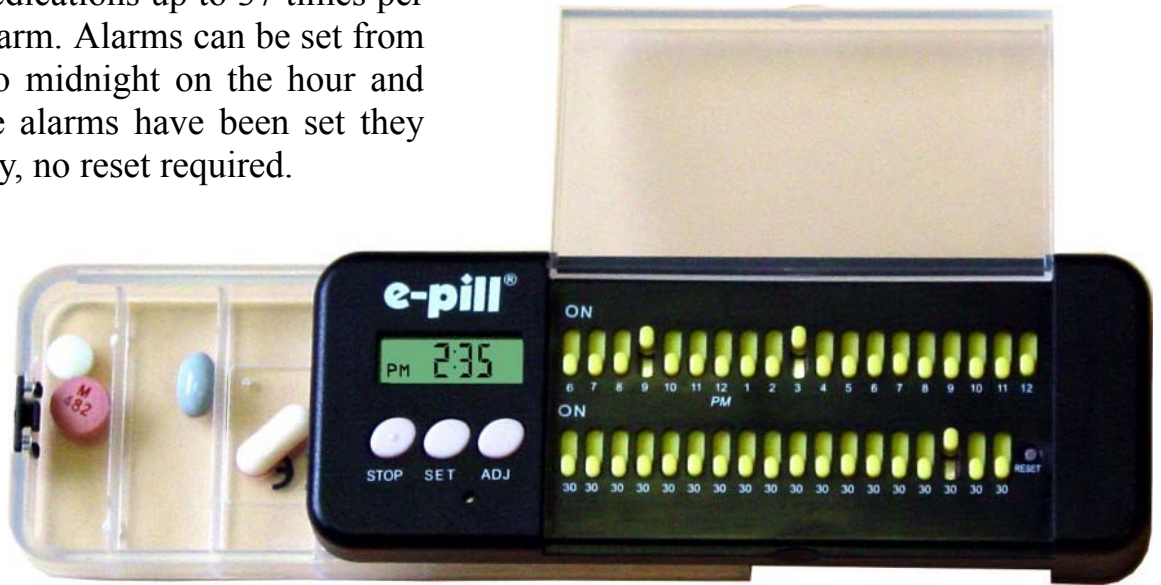


Operating Instructions

e-pill® Multi-Alarm Pill Box

This e-pill Medication Reminder can remind you to take your medications up to 37 times per day by a beeping alarm. Alarms can be set from 6 in the morning to midnight on the hour and half hour. Once the alarms have been set they will repeat every day, no reset required.

Thank you for buying the e-pill Multi-Alarm with Pill Box medication reminder. If your device is not activated, please activate it now by removing the clear plastic tab and pressing the gray RESET button under the clear plastic cover.



Never Forget to Take your Meds Again!™

TIME

This is how you set the correct time.

- Press the SET key for three seconds to enter time setting mode (hour blinking).
- Tap the ADJ key to set HOUR.
- Press the SET key (minutes blinking).
- Tap the ADJ key to set MINUTES.
- Press SET to finish time setting.
- Toggle between 12/24-hour clock by pressing ADJ key in normal mode.

ALARMS

This is how you program the daily alarms. You can set up to 37 daily repeating alarms. Each alarm will sound for 4 minutes or until you press the STOP button. You can change the alarm times as often as you like.

- For each ALARM open the clear cover and SLIDE a SWITCH (yellow) to the ON (up) position corresponding with your medication time.
- For half hour settings ONLY. Slide the corresponding half hour ("30") switch.
- Press STOP to silence alarm (or it will sound for 4 minutes).
- No reset required – Each alarm will repeat every day until you change the setting.

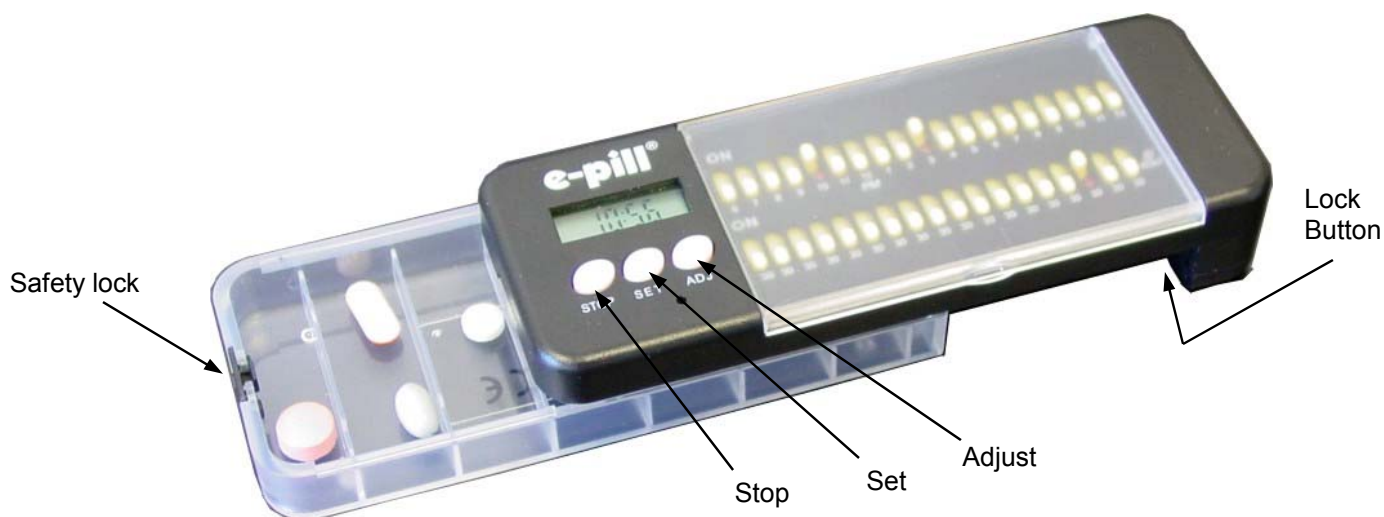


e-pill® | Medication Reminders

e-pill, LLC, 70 Walnut Street, Wellesley, MA 02481, USA

Phone: 1-800-549-0095 (781-239-8255 U.S & International) Fax: 781-235-3252

www.epill.com



MEDICATION TRAY

Your e-pill comes complete with a Medication Tray (“Pill Box”) containing multiple compartments. You can label them as you see fit using a permanent marker (not included) ...Sun, Mon, Tue ...Dose 1, Dose 2 ... Medication A, Medication B. The medication tray opens sideways and will securely store your pills when locked.

- Make sure the safety lock (located on the side of the medication tray) is in the unlocked (down) position.
- PUSH in the lock button (black button located under the unit) while you slide the tray sideways (to the left).
- SLIDE out the clear plastic medication tray. Take your meds and replace the tray.

BATTERY

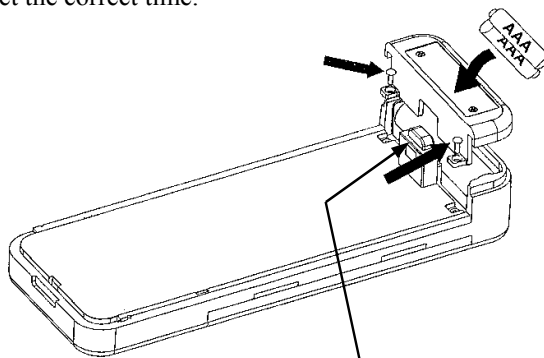
Your e-pill Medication Reminder runs on 2 replaceable AAA batteries (included). The batteries will last for well over a year. Replace the batteries when the low battery indicator icon lights up on the display. A low battery warning will also sound (rapid beeping alarm). You can stop the low battery alarm by pressing the STOP key. Please replace the batteries without delay.

- Remove the medication tray (clear plastic).
- Loosen the two screws (See picture to the right) holding the battery compartment.
- Remove battery compartment and the old batteries.
- Insert two AAA alkaline batteries.
- Replace the battery compartment door and tighten the screws.
- Press the reset button (gray button under clear cover) and set the correct time.



Safety lock.

Lock Button. Press and slide to open.



LOCK (Press to Open Pill Box)

Disclaimer: This e-pill Medication Reminder is only a supplement to any memory system that you currently use to remind yourself to take medications. The user maintains full responsibility to administer medication at the appropriate times. e-pill, LLC assumes no responsibility for any incidental or consequential damages, including but without limitation, damages or injuries resulting from malfunction of the product. e-pill, LLC's liability shall in no circumstances exceed the amounts paid by the user for the timer.



e-pill® | Medication Reminders

e-pill, LLC, 70 Walnut Street, Wellesley, MA 02481, USA
 Phone: 1-800-549-0095 (781-239-8255 U.S & International) Fax: 781-235-3252
www.epill.com