

High-Temperature Heaters



Ceramic Fiber Heaters

Accessories (Continued)

Dry Heating Surface Mix

Dry heating surface mix is used to make the hot face of all heaters, including those with the high emissivity coating. It can also be used with rigidizer to make a very high temperature paste for touch ups of the hot face area. Order by the pint (0.47 L), part number **CFHTGSURMX**, or gallon (3.78 L), part number **CFHTGMXGAL**.

Patch Kit

To easily repair small breaks or cracks, the patch kit contains one pint (0.47 L) of powdered ceramic fiber and four ounces (0.118 L) of black surface coat. Order **CFPATCHKIT**.

Ceramic Fiber Insulation Blanket

Additional insulation value for ceramic fiber heaters is available with ceramic fiber insulation blanket. This 6 lb/ft³ (96 kg/m³) ceramic fiber blanket contains no organic binders. It is suitable for applications up to 2300°F (1260°C) and sold in full rolls or cut by the square foot. These blankets are available in the following sizes:

Size (U.S.)	Size (metric)	Part No.
24 in. X 25 ft X 1/4 in.	610 mm X 7.6 m X 6 mm	CFBLKT1/4 [Ⓢ]
24 in. X 25 ft X 1/2 in.	610 mm X 7.6 m X 13 mm	CFBLKT1/2 [Ⓢ]
24 in. X 25 ft X 1 in.	610 mm X 7.6 m X 25 mm	CFBLKT-1 [Ⓢ]

[Ⓢ] Add ...R to end of part number for full roll.

Powdered Ceramic Fiber

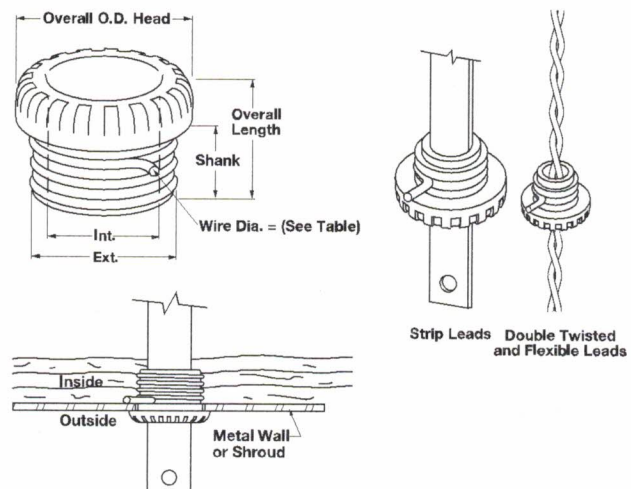
Powdered ceramic fiber is used primarily to improve surface finish in critical areas. It can also be used to fill voids, cracks and broken corners in damaged units. Use powdered ceramic fiber with rigidizer to make an easy to apply paste. A standard container size is one pint (0.47 L). Order part number **CFPDRFPT**.

High Temperature Coating and Electrical Potting Cement

Two different high purity, high temperature cements can be used to mount thermocouple tubes, provide extra surface hardening, bond ceramic fiber gaskets and affix lightweight ceramic fiber insulation blanket to panels, as well as attach edge-spacer blocks and custom vestibules. Potting cement is packaged in a 1/4 pint (116 mL) jar, and may be ordered by specifying part number **CFPTGCMT**. The high temperature coating cement is available in pints or gallons, and can be ordered by using part numbers **CFCTGCMTPT** and **CFCTGCMTGAL**.

Strip Lead Porcelain Bushings

Strip lead porcelain bushings are primarily used to protect heater power leads when passing through metal walls and furnace structures. Bushings are available with inside diameters listed below for use with double twisted leads and the three standard strip lead widths. To select the appropriate inside diameter lead bushing, reference the heater selection tables on pages 435 through 440. The strip lead width for each heater is listed therein.



Porcelain Bushings Specifications

Conduit K.O. Size in. (mm)	Shank Dia. without Wire Nut		Wire Nut Dia. in. (mm)	Shank Length in. (mm)	Overall Length in. (mm)	Overall Head O.D. (Ref.)		Use With:	Part Number
	Int. in. (mm)	Ext. in. (mm)				in. (mm)	in. (mm)		
3/8 (9.5)	3/8 (9.5)	21/32 (16.7)	0.080 (2.032)	9/16 (14.3)	7/8 (22.2)	7/8 (22.2)	7/8 (22.2)	All double twist	CS45-11
1/2 (13.0)	7/16 (11.1)	13/16 (20.6)	0.080 (2.032)	3/4 (19.0)	1 1/8 (28.6)	1 1/8 (28.6)	1 1/8 (28.6)	3/8 (9.5 mm) Strip	CS45-20
3/4 (19.0)	9/16 (14.3)	1 (25.0)	0.106 (2.692)	7/8 (22.2)	1 5/16 (33.3)	1 5/16 (33.3)	1 5/16 (33.3)	1/2 (13.0 mm) Strip	CS45-30