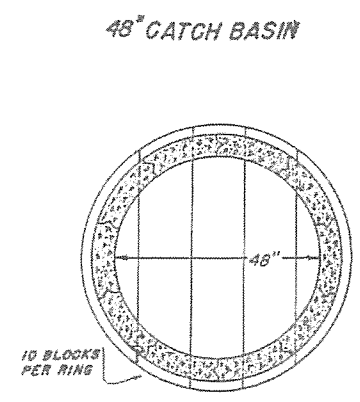
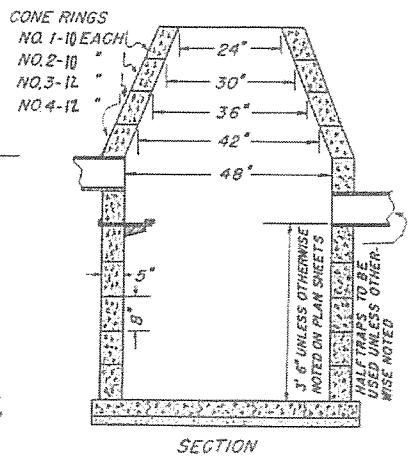
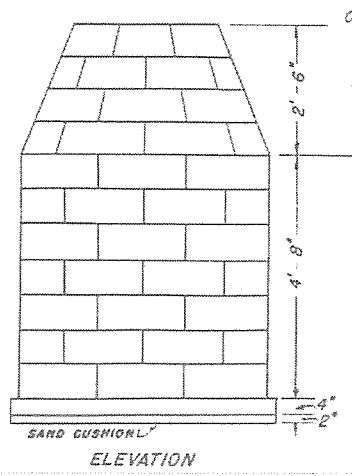
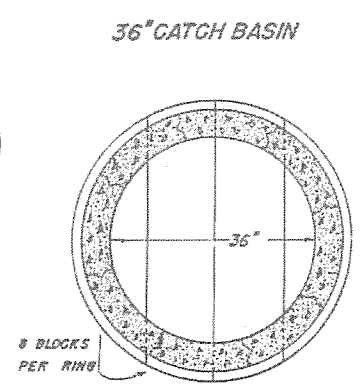
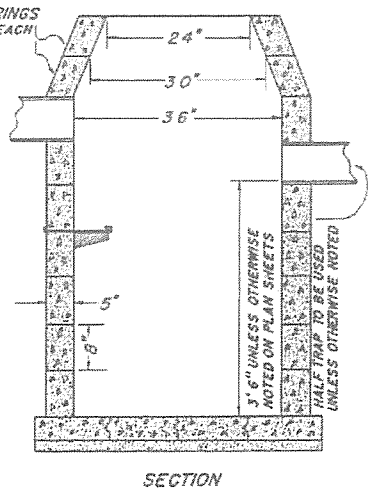
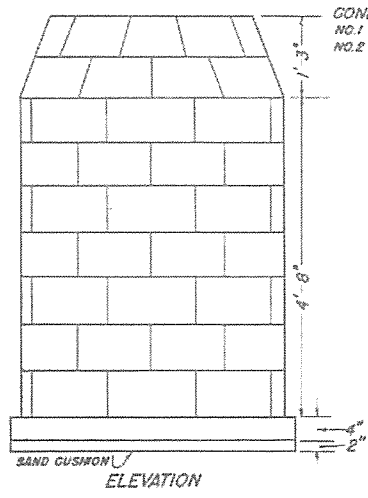
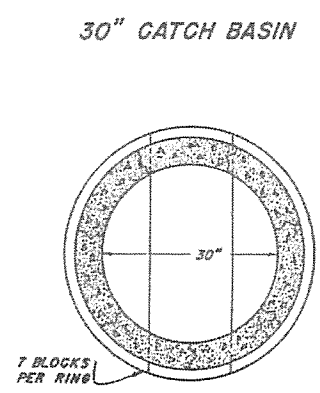
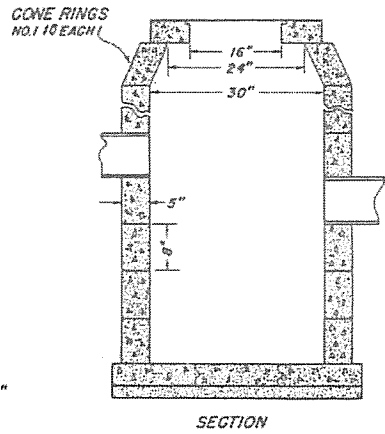
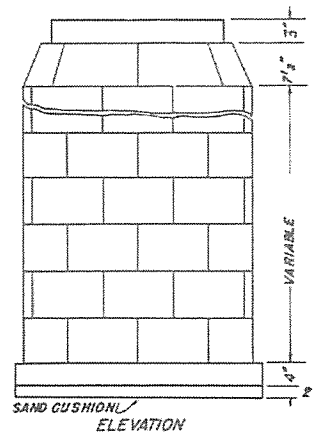
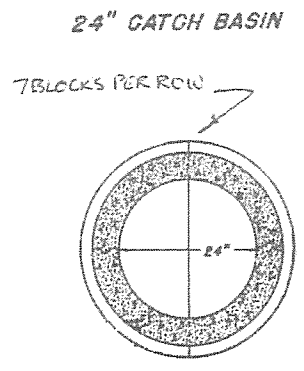
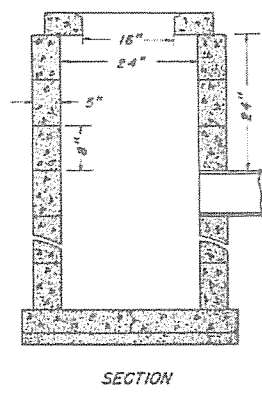
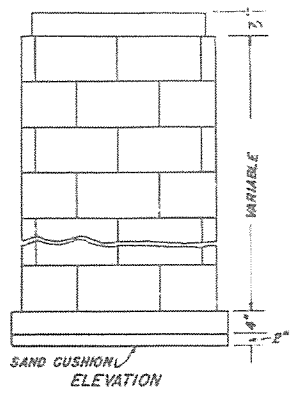


sewer builders supplies, inc.

9001 S. GREEN ST. CHICAGO, ILLINOIS 60620
 MANUFACTURERS AND WHOLESALE DISTRIBUTORS
 SEWER & MASONRY MATERIALS — PRECAST CONCRETE PRODUCTS

TELEPHONE — 773-873-1560



CONE RINGS
NO. 1-10 EACH

CONE RINGS
NO. 1-10 EACH
NO. 2-10

CONE RINGS
NO. 1-10 EACH
NO. 2-10
NO. 3-12
NO. 4-12

3" 6" UNLESS OTHERWISE
NOTED ON PLAN SHEETS
HALF TRAP TO BE USED
UNLESS OTHERWISE NOTED

3" 6" UNLESS OTHERWISE
NOTED ON PLAN SHEETS
HALF TRAP TO BE USED
UNLESS OTHERWISE NOTED