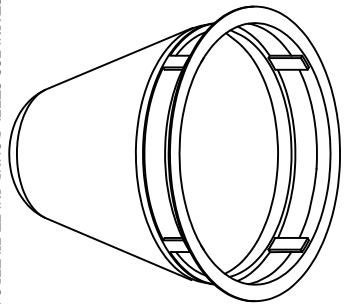
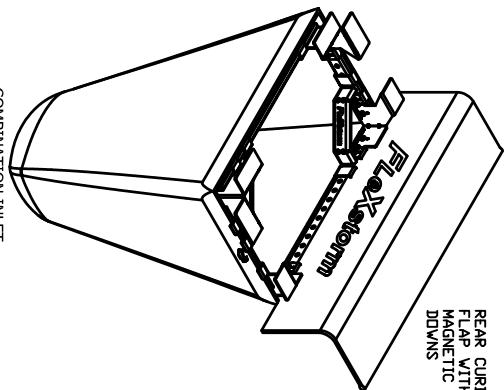


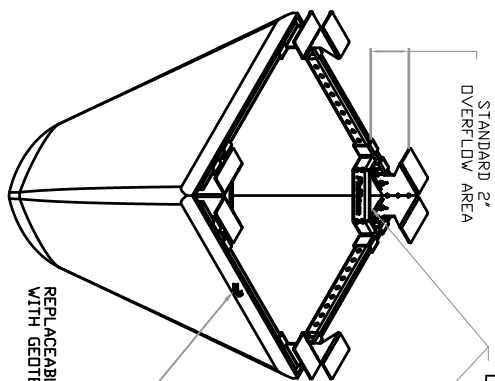
FLEXSTORM INLET FILTERS PRODUCT SELECTION AND SPECIFICATION DRAWING



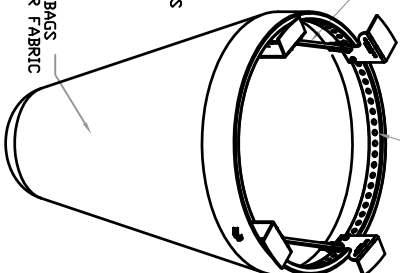
STAINLESS STEEL ROUND INLET FILTERS for
NYLOPLAST CASTINGS
CATCH-TITS SPECIFIED W/ FX or FX-S BAGS



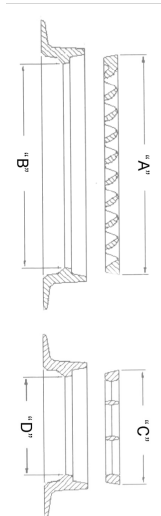
COMBINATION INLET
FILTER FOR CURB HOODS



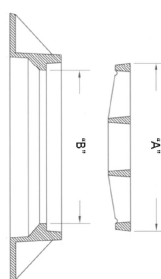
STANDARD 2'
OVERFLOW AREA
LIFT HANDLES
11 GAUGE STEEL SUSPENSION SYSTEM



REPLACEABLE SEDIMENT BAGS
WITH GEOTEXTILE FILTER FABRIC
STAINLESS
STEEL
CLAMPING
BAND



TYPICAL RECTANGULAR INLET FILTER



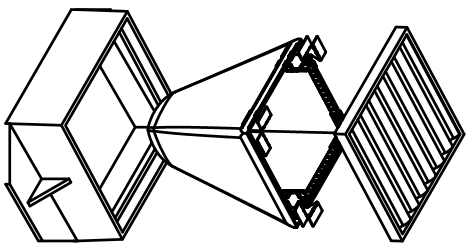
TYPICAL ROUND INLET FILTER

1. IDENTIFY YOUR FRAME STYLE, SIZE, AND MATERIAL

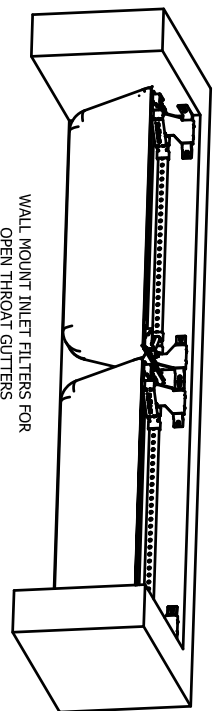
STYLE	FRAME STYLE AND SIZE	Frame P/N:
ROUND	Small Round (up to 20.0" dia grates (A) dim)	62SRD
	Med Round (20.1" - 26.0" dia grates (A) up to 25" dia openings (B))	62WRD
	Large Round (26.1" - 32.0" dia grates (A) up to 30" openings (B))	62LRD
	XL Round (32.1" dia - 39" dia grates (A) up to 37" dia openings (B))	62XLRD
	Small Rect / Square (up to 16" (B) x 16" (D) openings or 64" perimeter)	62SRQ
	Med Rect / Square (up to 24" (B) x 24" (D) openings or 96" perimeter)	62MRQ
	Large Rect / Square (up to 36" (B) x 36" (D) openings or 120" perimeter)	62LRQ
	XL Rect / Square (side by side 2 pc set to fit up to 48" (B) x 36" (D) openings)	62XLRSQ
	Small Rect / Square (ref Rect sizing; shipped with Magnetic Curb Flaps)	62SCB
	Med Rect / Square (ref Rect sizing; shipped with Magnetic Curb Flaps)	62MCB
	Large Rect / Square (ref Rect sizing; shipped with Magnetic Curb Flaps)	62LCB
COMBO INLETS	XL Rect / Square (ref Rect sizing; shipped with Magnetic Curb Flaps)	62XLCB
	12" diameter NYloplast castings (Stainless Steel Framing standard)	6212NY
	15" diameter NYloplast castings (Stainless Steel Framing standard)	6215NY
	18" diameter NYloplast castings (Stainless Steel Framing standard)	6218NY
	24" diameter NYloplast castings (Stainless Steel Framing standard)	6224NY
	30" diameter NYloplast castings (Stainless Steel Framing standard)	6230NY
NYLOPLAST	Open throat Gutters - Curb Opening Size	
	Up to 4" (1 Filter and Mounting Hardware)	62WVW1
	Between 4 and 8" (2 Filters and Mounting Hardware)	62WVW2
	Between 8 and 12" (3 Filters and Mounting Hardware)	62WVW3
	Between 12' and 16" (4 Filters and Mounting Hardware)	62WVW4
WALL MOUNT	UPGRADED FRAMING MATERIAL OPTIONS (STANDARD IS ZINC PLATED)	SURFIX
	CHROME PLATED FRAMING FOR HIGH SALT AND/OR CHEMICAL EXPOSURE	- CHR
	STAINLESS STEEL FRAMING FOR HIGH SALT AND/OR CHEMICAL EXPOSURE	- SS

2. SELECT YOUR FILTER BAG PART NUMBER

FLEXSTORM FILTER BAGS	(22" depth) STD Bag P/N	(12" depth) Short Bag P/N	Clean Water Flow Rate (GPM/SqFt)	Min A.O.S. (US Sieve)
FX: Standard Woven Bag	FX	FX-S	200	40
FX+: Woven w/ NY/Celex	FXP	FXP-S	200	40
FXO: Woven w/ Oil Boom	FXO	FXO-S	200	40
PC: Post Construction Bag	PC	PC-S	137	140
PC+: PC Bag w/ NY/Celex	PCP	PCP-S	137	140
LL: Litter and Leaf Bag	LL	LL-S	High	3.5
LL+: DOT Non-Woven Bag	LL	LL-S	145	70



- INSTALLATION:**
- REMOVE GRATE
 - DRIP FLEXSTORM INLET FILTER DNTO LOAD BEARING LIP OF CASTING OR CONCRETE STRUCTURE
 - REPLACE GRATE



WALL MOUNT INLET FILTERS FOR
OPEN THROAT GUTTERS

Nominal Bag Size	SOLIDS STORAGE CAPACITY				*PC OIL Retent (Oz)		**PCP OIL Retent (Oz)	
	Solids Storage (CuFt)	Filtered Flow Rate at 50% Max	FX (Woven)	PC (Post Const)	IL (Non Woven)	Retent (Oz)	Retent (Oz)	
Small	1.6	1.2	0.8	0.9	66	155		
Medium	2.1	1.8	1.2	1.3	96	185		
Large	3.8	2.2	1.5	1.6	120	209		
XL	4.2	3.6	2.4	2.6	192	370		

* PC filter bag at 50% max adsorption capacity
** PC filter bag at 50% capacity and NY/Celex skimmer at 100% capacity

3. CREATE YOUR FLEXSTORM INLET FILTER PART NUMBER

Frame P/N from Step 1.	Filter Bag P/N from Step 2.	Framing Material
------------------------	-----------------------------	------------------

ALL PRODUCTS MANUFACTURED BY INLET & PIPE PROTECTION, INC DISTRIBUTED BY ADS
W.W.INLETFILTERS.COM
(866) 287-8655 PH
(630) 355-3477 FX
INFO@INLETFILTERS.COM

SCALE: INCHES = 1 FOOT

REV: