



A&J Washroom Accessories

UJ19 Mop Holder

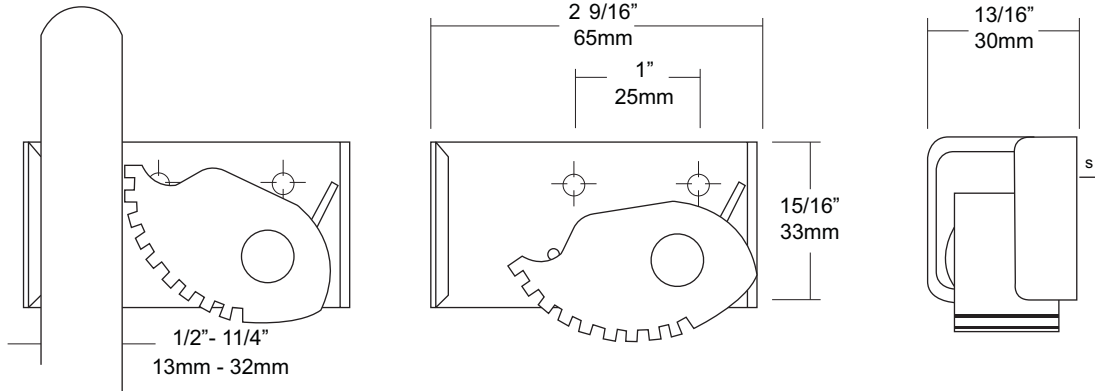
Revision 03/11

JOB #:

ITEM #:

QUANTITY:

MOUNTING	HANDING	TYPE	SIZE	OTHER



SPECIFICATIONS

Mop Holders: Plated reinforced steel with serrated cam type hard rubber mop or broom holder. Holds handles 1/2" to 1 1/4" diameter. UJ19 Mop holder can be installed by itself or used in combination with mop strips and shelving.

Overall Size: 2 9/16"W x 1 5/16"H x 1 3/16"D
65mm x 33mm x 30mm

INSTALLATION

Place unit to wall surface making sure unit is level and transfer mounting points. Drill pilot holes and secure unit with proper fasteners per application.

NOTES