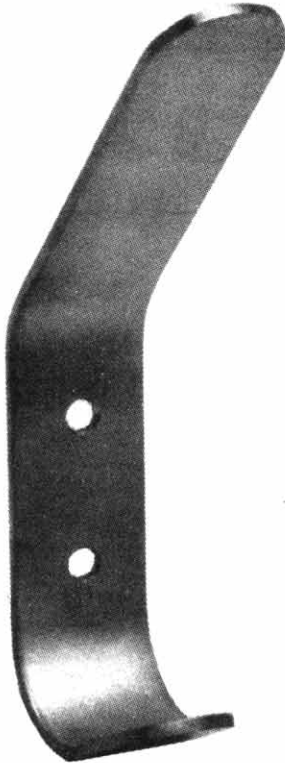


# TSM

**TUBULAR SPECIALTIES MFG., INC.**

13011 S. SPRING ST., LOS ANGELES, CA 90061-1685 • 213/515-4801 TOLL FREE 800/421-2961 CA ONLY 800/521-7548  
DESIGNER SERVICE: 7:00 A.M. TO 5:00 P.M. PACIFIC TIME • TELEX II: 910-346-6362 • FAX: 213/217-0653

# 895



## HAT AND COAT HOOK



**FINISH** (select one)

- #4 Satin (standard)
- Other (additional charge; see Finish Schedule, Reference Section A, for options)



**SUGGESTED ARCHITECTURAL SPECIFICATION**

TSM model 895 Hat and Coat Hook from Tubular Specialties Manufacturing, Inc., Los Angeles, California, (213) 515-4801. Hook: stainless steel Type 304 (18-8) 16 gauge (1.5mm), formed construction. Finish: \_\_\_\_\_ (select from Finish Schedule).



**MATERIALS/WORKMANSHIP**

**Hat and Coat Hook**—Stainless steel Type 304 (18-8) 16 gauge (1.5mm), formed construction.



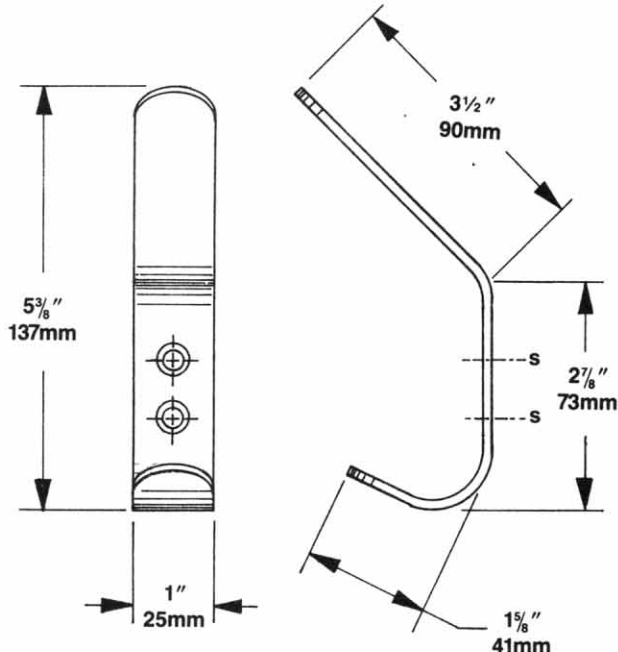
**INSTALLATION**

Hook is surface mounted. Screws are provided by manufacturer (see Installation, Reference Section C, for various applications).



**DISTRIBUTION**

TSM maintains a worldwide network of distributors. Call your sales representative listed in Reference Section O for the names of those nearest you.



**GUARANTEED PRODUCT**  
SEE PAGE 3 FOR COMPLETE DETAILS