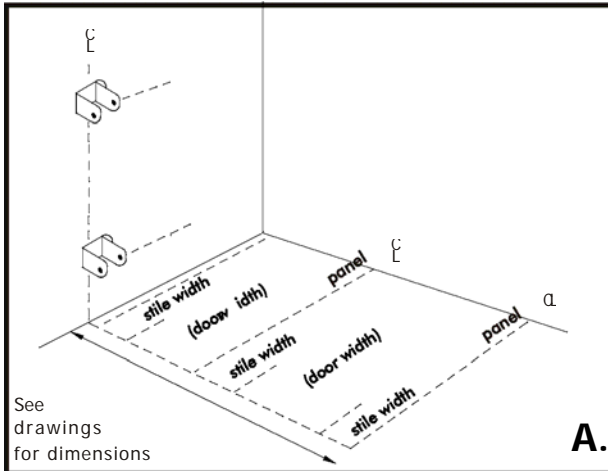




ALL PARTITIONS AND PARTS
AMPCO PLASTIC LAMINATE ON PARTICAL BOARD
INSTALLATION INSTRUCTIONS:
F: 866-255-8640 P: 866-255-8645 E: help@allpartitions.com

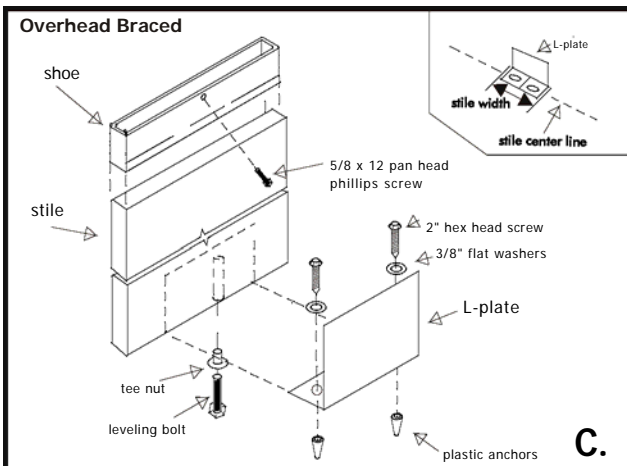
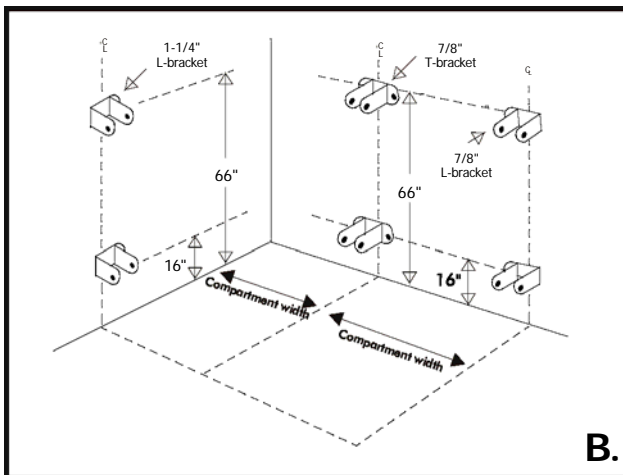


Before you begin, please note the following considerations: Safety First!

Please use proper safety gear when performing any installation. Review all jobsite conditions for any compromises of safety and report all concerns to project superintendents. Verify that adequate blocking has been installed behind all walls for bracket attachments. Shop drawings provided will supply all compartment material type, hardware supplied, construction type, compartment widths, depths, ceiling heights, individual component sizes. You will need the shop drawings to determine centerline dimensions and drilling locations. Upon receipt of material and shake out, be certain that all items indicated on the hardware packing list and job list are included.

Step 1: Determine the depth of the toilet partitions from the shop drawings provided in the hardware box. Mark this depth and snap chalk lines as illustrated. The centerline of each stile location is 3/8 inch less for 3/4 inch stiles and 1/2 less for one inch stiles than the overall depth dimensions indicated on the shop drawings. These lines will be the centerline for the stile to wall brackets. (Note: the actual panel size is 2-1/2 inches less than the overall depth.)

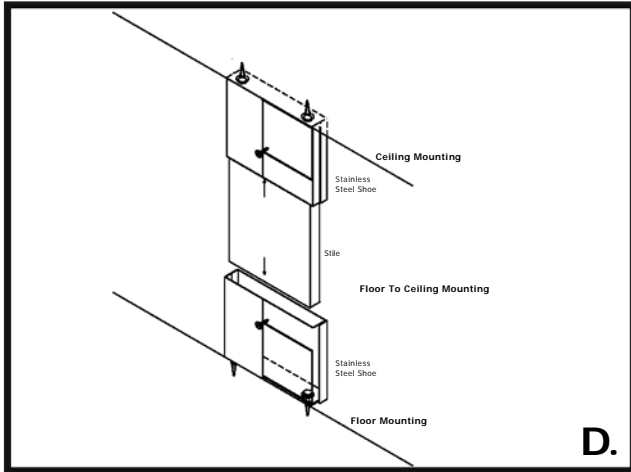
From the side wall, measure along the center line of the stiles to locate the stile floor attachments. Follow the shop drawings carefully. The width of the compartments are measured from the side walls to the centerline of each panel. The size and location of each stile is indicated on the shop drawings. The distance between the first stile and the existing side wall is indicated. Mark the centerline of all full height wall brackets and standard stirrup brackets. Mark all brackets holes to be drilled using the brackets provided as a template. For two standard stirrup brackets, mark the center line location of each bracket at 16 and 66 inches above the finished floor. If a middle stirrup bracket is required, it should be positioned equidistant from the top and bottom locations. Mount the top edge of any continuous bracket attachment at 68 inches above finished floor. Insure all bracket elevations are consistent throughout each continuous bracket installation. Drill 1/4" holes for all wall brackets and floor attachments. Insert plastic anchors. Secure wall brackets with fasteners provided the HW-11 pack or HW-21 pack. Refer to your shop drawings for type of construction. The fastening hardware provided depend on the construction type be used. Secure all floor attachments or L-plates with fasteners provided in HW-33 or HW-31 pack. If stiles are provided with aluminum bar attachments, the floor packs will include four inch all thread bolts with rawl plugs or double expansion bolt fasteners. For ceiling hung construction types and some floor to ceiling construction types, six inch all thread bolts will be employed to fasten the stiles from the finished ceiling.



The bolts are generally provided and shipped at the time the order is released for fabrication. Some stiles will be fastened with L-plate attachments. A 5/16 inch T- nut and bolt will be included in the floor pack. Typically, the commercial restroom will have a slope for water drainage. Determine which of the stiles in the room is the highest elevation. Install this stile first. Elevate all other stiles to match its height through adjustment of the leveling bolts inserted in the step 3.

Step 2: Determine all hardware connections, stile locations and panel locations. For all drywall partition walls, wood or metal backing must be provided by the contractor. Wherever possible, place wall anchors in the grout lines of wall tile or mortar joints of cement block. All solid phenolic core partition stiles will be one inch or 3/4 inch stile thickness and the panels will be either 3/4 inch or 1/2 inch thickness. The thickness of the stile will be identified on the shop drawings. All intermediate panel brackets will be a "T" profile. All panel to stile connections will be a "U" profile. All stile to wall and end panel brackets will be an "F" profile. The "F" brackets will also be identified on the hardware packing list as a "L" bracket.

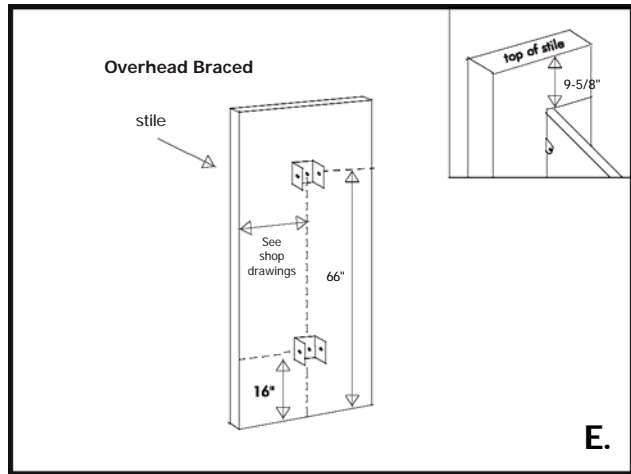
Locate and fasten all brackets and floor attachments prior to Step 3.



Step 3: In preparation for stile installation, locate, position and fasten the "U" bracket(s) behind the outside face of each stile. Drill 1/8 inch pilot holes one half inch into the back of the stiles. Refer the shop drawings to identify each stile width, its location in the room and the panel it will be mounted onto. The center line location of these brackets are determined by the shop drawings. Drill and locate the T- nut and leveling bolt in the center on the bottom of each stile. For the L-plate attachment, drill a 3/8 inch hole two inches deep into the bottom center of the stile. Slide appropriately sized stile shoe onto the bottom of each stile. Insure the punched hole of the shoe is up and located on the back side of the stile. Hold in place with masking tape eight (8) inches above the attachment points, temporarily.

For Overhead Braced Constructions:

A. For the L-plate attachments, drill a 2 inch deep by 3/8 inch diameter hole in the bottom center of each stile. Tap 5/16 inch tee nut and leveling bolt into the hole. The floor fasteners and anchors are found in the HW-31 pack. For the aluminum bar attachment, proper floor preparation for rawl plug or double expansion bolts is required. Upon location of the stile on center of chalk line, drill floor for double expansion or rawl plugs three inches deep with 3/4 inch carbide bit. Location of the holes will be 3/4 of an inch from the end of each stile. The 3 and 4 inch width stile have one attachment bolt. Stile widths of 5 inches or more have minimum two, possibly four. Attach 4 inch all-thread bolt to plug. Place plug into drilled hole and install washer and nut onto bolt and turn down to tighten connection. Once bolts are installed, affix washer and nut from screw pack and place adjustable bar onto bolt through punched hole. Mount washer and nut to attachment bolt to bar and tighten loosely with box wrench. Do not lock into position until doors are hung and uniform clearances can be established on the strike side and hinge side of doors.



B. Put shoe on each stile taking care to locate pre-drilled shoe hole so that it will be on the inside of the compartment with the hole on top. For overhead braced construction, stile shoe is located on the bottom of each stile.

C. Determine the location of the stile on the floor (as shown in Step 2). Using L-plate as a template, mark and drill two 1/4" holes in floor 2 inch deep. For 3 and 4 inch stiles only one hole is necessary. Mount L-plate to the floor using two plastic anchors, 3/8" flat washers and 2 inch hex head stainless steel screws located in the screw pack.

D. Set stile aside: shoe and stile will be attached to the L-plate in the following steps.

For Floor to Ceiling Constructions:

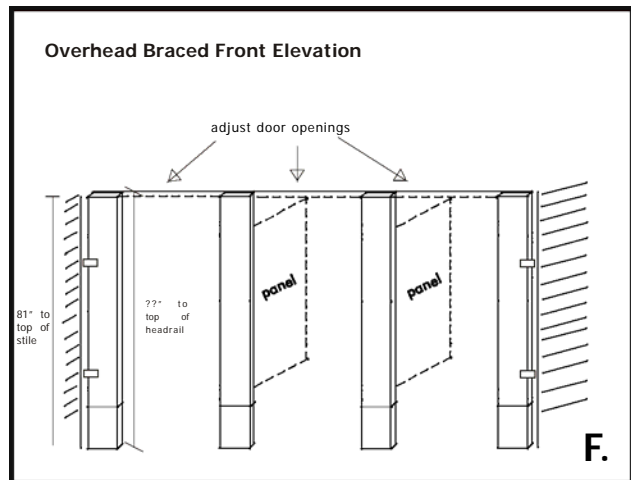
Upon location of stile on center of chalk line, drill floor for double rawl plugs three inches deep with a 3/4" carbide masonry bit. For Floor to Ceiling Construction, stiles will be fastened with an adjustable bar on the bottom and a L-plate on top, or an L-plate attachment on the bottom and top of the stile. Location of the center will be 3/4 inch from the end of each stile. One bolt will be required for three and four inch stiles, all stiles will have two attachment points. Attach 4" all-thread to rawl plug with a washer and nut. Tighten until secure. Install large washer and nut on rod and turn down almost to the first nut.

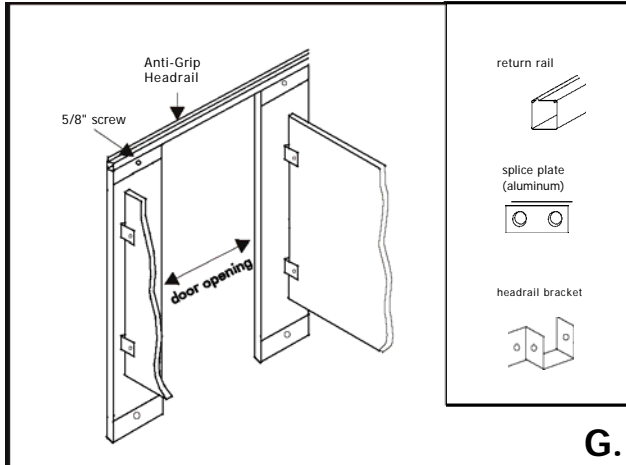
For Floor Mounted Construction:

See instructions for overhead braced construction.

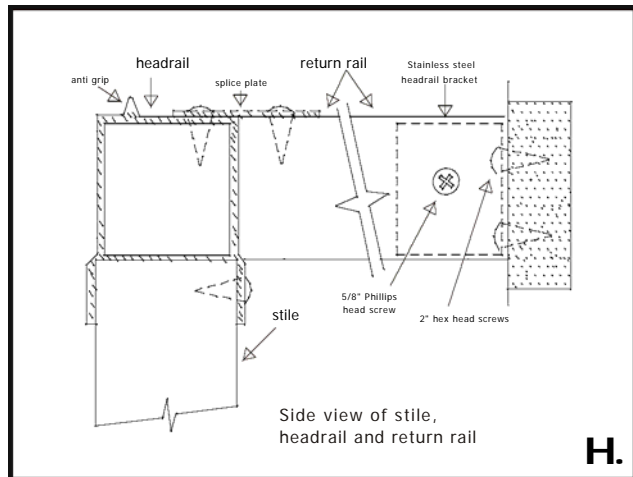
For Ceiling Hung Construction:

Adjustment of adjustable bar mechanism will be made onto all-thread bolts anchored into structural steel members above the finished ceiling. If structural steel ceiling bolt mechanism is not employed, please notify the contractor immediately of potential safety and warranty issues on function of system. Six inch all thread bolts must be securely fastened with a nut and washer on the top and nut and washer on the bottom

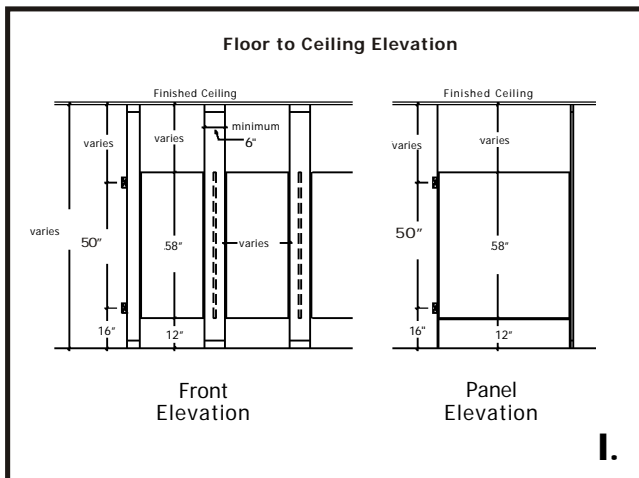




G.



H.



I.

of the structural steel. If possible, minimize distance between bottom attachment at structural steel and attachment at the suspended stile. As this distance increases, so does the degree of lateral movement once the installation is complete. Mount nut and washer onto bolt projecting from the finished ceiling. The range of projection must be one inch to 1-1/2 inches. **Place washer and nut over the top of the adjustable bar and draw tight against bar with box wrench. Height of leveling adjustment will be made with nuts located on the top and bottom of adjustable bar. Do not lock into final position until doors are hung.**

Step 4: Locate appropriately sized panels based on the shop drawing dimensions given. Each component will have a label that identifies the size, color and room number. To secure panel to rear wall and stile, set 12 inches support under panel. Place panel on support and insert into bracket (s) mounted on the rear or side wall. Insert panel onto "U" bracket (s) on back of stile. When panel is at proper height above floor, drill through "U" brackets with a 1/4" bit. Fasten with 3/4" male shoulder screws and 5/8" female barrel nuts. Place stile on L-plate and slide stile shoe down onto L-plate. For adjustable bar attachments, place or move stile into place to receive intermediate panels. Do not attach. Set the panels into the bracket (s) but do not fasten.

Step 5: All stiles must be plumb and level before attaching. For overhead braced construction types, headrail may be used as an aid in this process by temporarily setting them into position. Do not fasten at this time. For Floor Mounted construction types, all stiles will have consistent overall height elevation above finished floor. For ceiling hung, height above finished floor to bottom of suspended stiles must be 12 inches.

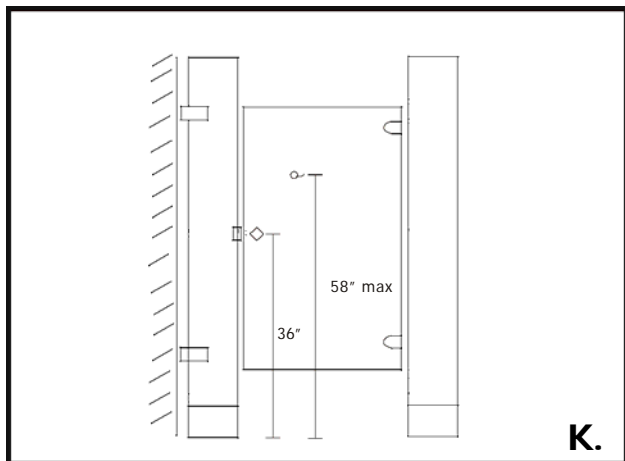
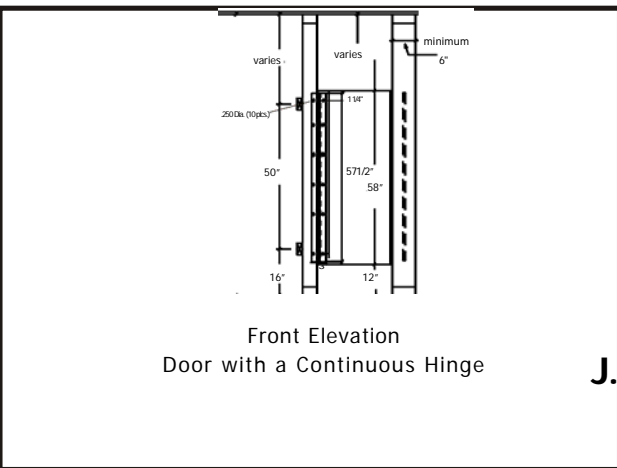
Plumb stile and adjust elevations. Fasten stile to panel using through bolts provided in the HW21 pack. By adjusting stile L-brackets or adjustable bars horizontally from side to side, the proper door opening and stile elevations can be achieved. When confirmed, set into position by tightening screws.

Step 6: For Overhead Braced Construction types, Ampco provides pre-cut lengths of aluminum headrail and return rail for room sizes shown on the shop drawings. We provide the headrail lengths in five inch increments. For example, if length required is 72 inches, a piece of 75 inches is provided. **Cut headrail to actual length necessary to insure a tight fit. Please review all lengths carefully before you cut.** For all door openings, secure headrail at the top and L-plates at the bottom of the stiles. **Rails**

should be placed on stiles with "anti-grip" feature toward the front of the compartment. Starting from stile attached to wall, create each door opening by adjusting bottom and top of individual stiles. Secure headrail to top of stile with 5/8" screw provided in the HW-31 pack. For Floor to Ceiling, Floor Mounted and Ceiling Hung Construction types, no headrail is provided. The important point is to insure that all stiles are mounted and fastened plumb and true and all elevations are consistent either on the bottom for ceiling hung construction or on the top for floor mounted construction. Tighten all stiles to floor and stiles to ceiling connections so that component is rigidly fixed into position. Allow for some movement from side to side to provide for proper hinge and lock clearances of any hanging doors.

At any open headrail locations, insert headrail end plugs that are provided in the headrail return screw pack. Return headrail placement is shown on the shop drawings. **Return headrail is attached to headrail with a splice plate and attached at the rear wall of the stall with a stainless steel headrail bracket. After sliding return rail over the bracket, drill an 1/8" pilot hole through the return rail and bracket. Secure with 5/8" Phillips head screw.**

For Ceiling Hung construction, ceiling hung bolts should be anchored into



DISCLAIMER OF LIABILITY. Ampco has no control over the method of installation of the product you have purchased. Ampco has provided written instructions for the installation of the product herein as a guide to the installation process. These instructions are not meant to be all encompassing. There might exist material components of an installation that are not addressed in these instructions. The product must be installed by an experienced, qualified and fully insured installer. Ampco does not maintain any control or dominion over the selection of the installer used to install the product, the method of installation of this product, and does not inspect the product once it has been installed. Therefore, and in light of the foregoing, Ampco assumes no liability and the customer assumes all liability for any damages that result from the improper installation, inappropriate selection of an installer, and/or failure to follow the installation instructions provided herein.

structural steel component above the ceiling at this point. Location of these bolts should be as indicated in the Ampco shop drawing with bolt layout. If the locations of the bolts are not as indicated on the drawing and the bolts were installed by others, please notify the contractor immediately. Depending upon the floor to ceiling height for the ceiling suspended system, a horizontal cross bracing of aluminum or solid phenolic core material may be utilized to provide stability to the suspended system.

Step 7: Install doors. All doors are undercut $\frac{1}{2}$ inch from overall opening. Be certain that you review this detail and read the instructions before you begin. All hardware will be packed together. Insure that you have all correct parts before you begin.

For **Continuous Hinges:** All Continuous stainless steel and aluminum hinges are handed. Each hinge will be labeled as a left handed or right handed hinge. These hinges will be marked as either for an out swing door or inswing door. For example, a left hand out-swinging hinge will be the same as a right handed in-swinging hinge. Please refer to the shop drawings to determine the handing and swing before proceeding. Once the opening has been identified, using the hinge as a template, drill $\frac{1}{4}$ inch holes into the door. Mount the hinge using the through bolts (set screws) provided. Be certain to mount the pin and barrel $\frac{1}{8}$ inch off of door edge. This will insure a clearance of $\frac{1}{4}$ inch on the hinge side and lock side of door. All continuous hinges are preset for closed position. Once door side of hinge is mounted, locate the door 14 inches off of floor. This height should coincide with panel height off of finished floor. With a 14 inch support and once again using the hinge as a template, locate the holes necessary to mount the hinge to the stile. Be certain that the door swing and handing is

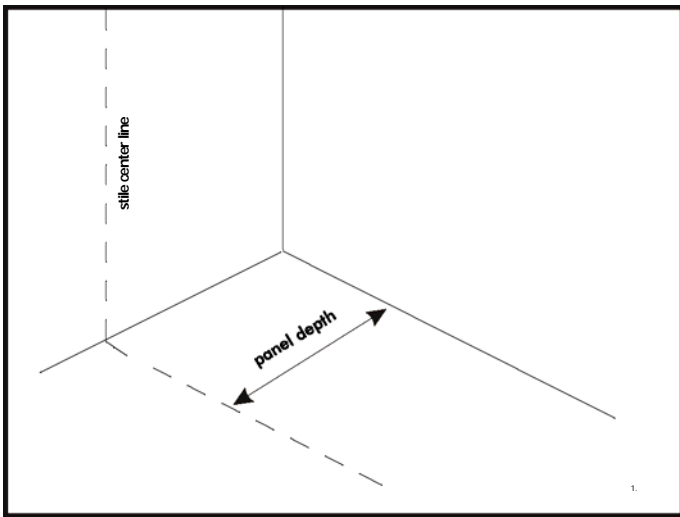
correct. Drill $\frac{1}{4}$ inch holes through the locations and proceed to mount the hinged door to stile.

For Cast **Stainless steel pivot hinges:** In-swing or out-swing doors are identified as such. Verify through the shop drawings the handing (swing) of each door and proceed accordingly. Each hinge set will have one hinge that will employ a cast stainless cam with a ball bearing slide piece for door closing feature. This hinge will be mounted on the bottom of the door. Locate the bottom side of the hinge bracket on the stile at $13\text{-}\frac{1}{4}$ " above the finished floor. The top hinge will employ a nylon sleeve and bushing piece. The stile hinge bracket will be inverted (turned over) to receive bushing bracket mounted on the top edge of the door. The top of stile bracket must be mounted at $1\text{-}\frac{3}{8}$ " above the top line edge of the door. A minimum gap of $\frac{5}{16}$ " must established between the bottom of the stile bracket casting and the top of the door bracket casting to allow for the door to rise when opened. Using the hinge bracket as a template, drill $\frac{1}{4}$ inch holes in top of door and anchor hardware components with fasteners included in the door pack.

For **Surface Mounted Hinges:** Surface Mounted hinges will be provided as a pair or three per door. Determine from the shop drawings the swing and handing of the doors. Mount the middle free swinging hinge in the exact center of the door. Mount the bottom hinge three inches up from the bottom edge of the door.

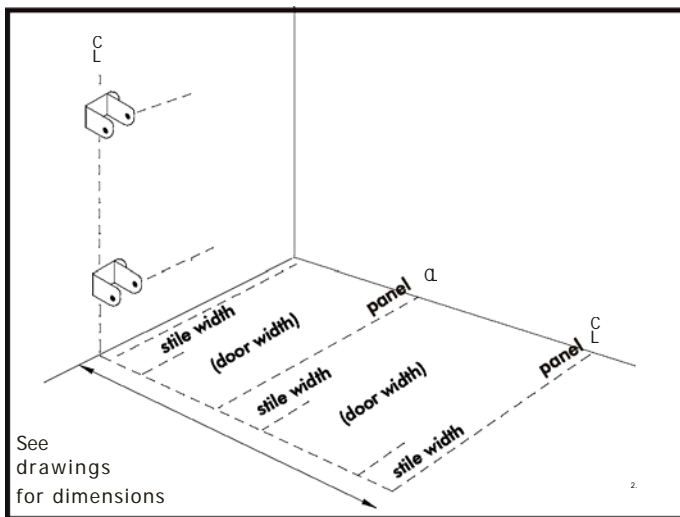
Step 9: Mount remaining door hardware, slide latch, stop and keeper, coat hook and door stop. Recommended height is 36 inches above finished floor for the slide latch and 58 inches above the floor for the coat hook. Set in-swing and out-swing stops so that they align with door mounted slide latch. All compartment doors and hardware employ emergency access feature. Insure that latch location is such that latch bolt will become disengaged when door is lifted.

Step 10: Care, Cleaning and Maintenance. Remove all plastic protective film and labels from surfaces of material. All surfaces can be kept clean with water and mild soap solution. Do not use any caustic or acidic type cleaners. In high humidity areas, all rooms should be properly ventilated. Visit www.allpartitions.com for more information about care and cleaning.



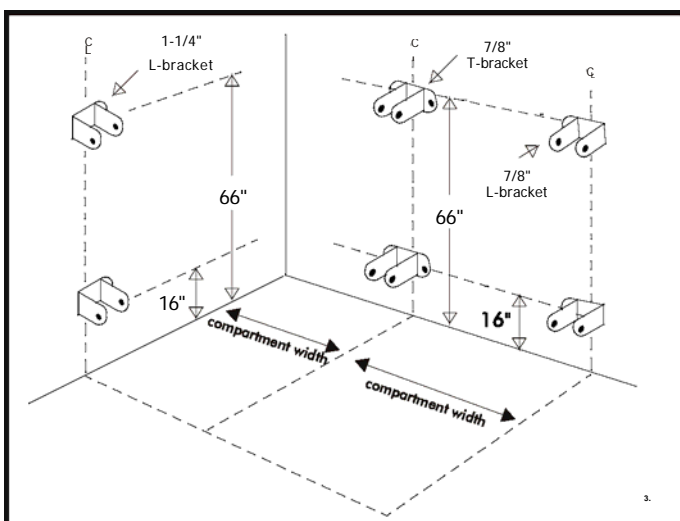
These instructions are current as of January, 2004. Ampco reserves the right to modify the procedure. Please contact Ampco with questions or discrepancies before proceeding with installation.

DISCLAIMER OF LIABILITY. Ampco has no control over the method of installation of the product you have purchased. Ampco has provided written instructions for the installation of the product herein as a guide to the installation process. These instructions are not meant to be all encompassing. There might exist material components of an installation that are not addressed in these instructions. The product must be installed by an experienced, qualified and fully insured installer. Ampco does not maintain any control or dominion over the selection of the installer used to install the product, the method of installation of this product, and does not inspect the product once it has been installed. Therefore, and in light of the foregoing, Ampco assumes no liability and the customer assumes all liability for any damages that result from the improper installation, inappropriate selection of an installer, and/or failure to follow the installation instructions provided herein.



Determine the depth of the toilet compartment from the shop drawings. Subtract 5/8" from this measurement. Mark this depth and snap chalk lines as illustrated. These lines will be the center line for the wall brackets and the stile. (Note: the actual panel size is 21/2" less than overall depth.)

Start at the existing sidewall and mark off the actual width of the individual stile along the stile centerline as determined in Figure 1. Size and location of each stile, as well as the location of hinge holes to mount door hinges, appear on the shop drawings. **Follow shop drawings carefully.** The distance between the existing sidewall and the first stile varies and is indicated on the shop drawings.



Determine the compartment width. This measurement appears on your shop drawings. Mark compartment width for each compartment and snap chalk line as shown. Place and mark the center of the bottom panel bracket 16" above the floor, and the center of the upper panel bracket 66" above the floor. Wherever possible, place wall anchors in grout lines of tile, mortar joints of cement block, or blocking behind drywall. On back wall, use 7/8" "T" brackets for interior panels and 7/8" "L" brackets for end panels. On sidewalls use 1-1/4" "L" brackets. In cases where 1" thick doors and panels were specified, use 1" brackets supplied. The bracket itself can be used as a template to mark the actual hole locations on the wall. Drill 1/4" holes, insert plastic anchors and mount brackets using 2" hex head fasteners provided in screw pack.

Typically, a bathroom floor is sloped for drainage. Determine which of the L-plates in the room is the highest elevation. This stile must be installed first. All other stiles will be elevated to match its height through adjustment of the leveling bolts inserted in the next step.

Overhead Braced Installations

A. Drill a 2" deep by 3/8" diameter hole in the bottom center of the stile. Tap 5/16" tee nut and leveling bolt into the hole. (For Metal and Stainless Steel, leveling bolt is already in stile.) Floor attachment is found in HW31 pack.

B. Put shoe on stile taking care to locate pre-drilled shoe hole so that it will be on the inside of the stall with the hole on the top. Raise shoe up about 8" and secure with tape temporarily. (Note: For overhead braced and floor mounted construction, the shoe should be on the bottom of the stile.)

C. Determine the location of the stile on the floor (as shown in step 2). Using L-plate as a template, mark and drill two 1/4" holes in floor 2" deep. Mount L-plate to the floor using two plastic anchors, 3/8" flat washers and 2" hex head screws located in the screw pack.

D. Set stile aside; shoe and stile will be attached to the L-plate in following steps.

Floor Mounted Installations

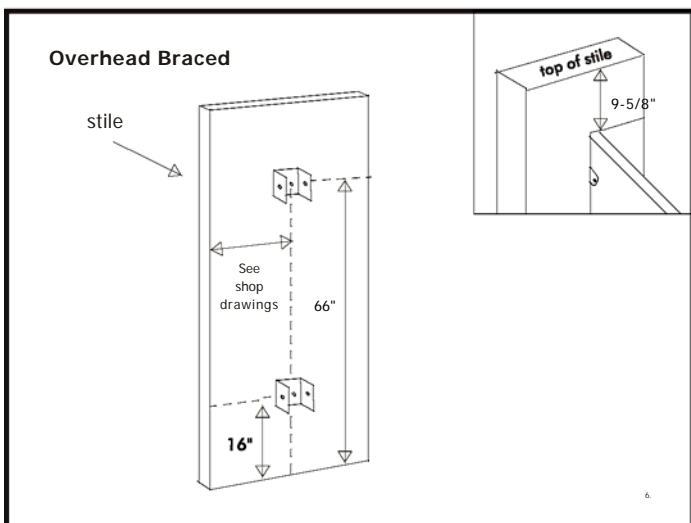
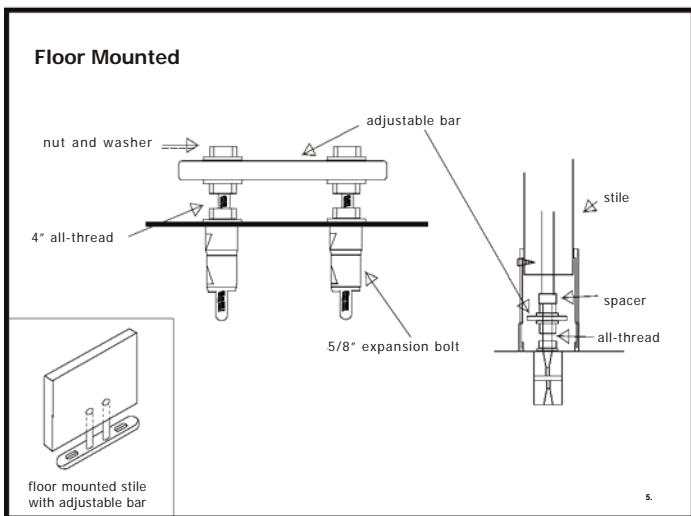
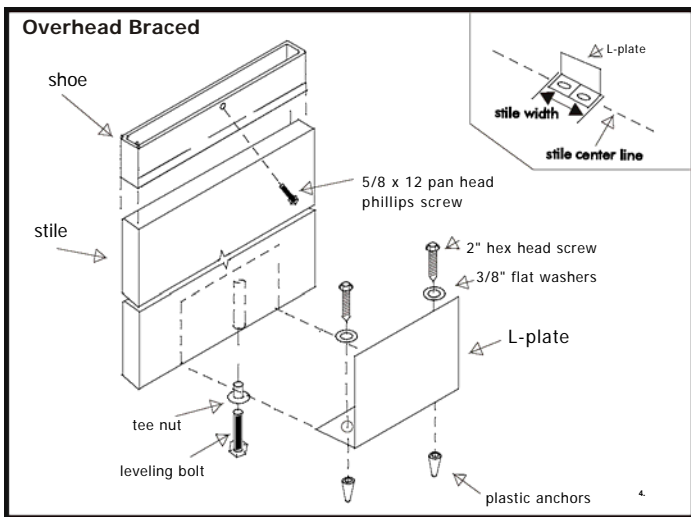
Refer to shop drawing and room layout. Upon location of stile on center of chalk line, drill floor for double rawl plugs 3" deep with 3/4" carbide bit. Location of center will be 3/4" from end of stile. Attach 4" all-thread to rawl plug with washer and nut. Install large washer and nut on rod and turn down almost to first nut.

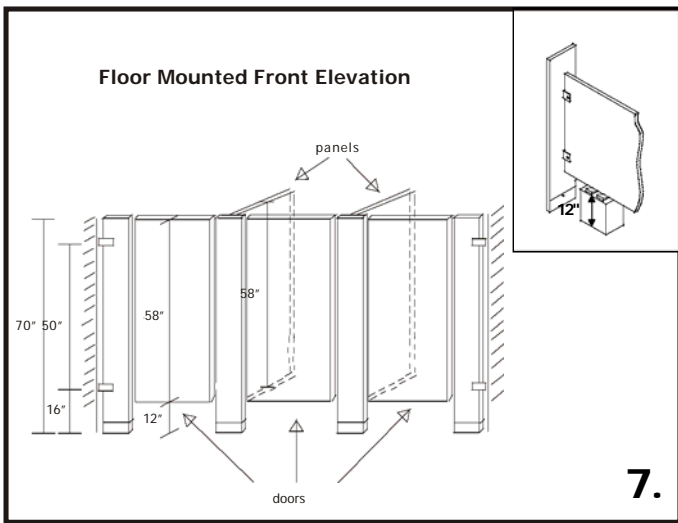
Attachment of adjust bar mechanism will be made onto all-thread bolts. Place washer and nut over top of aluminum adjustable bar and draw tight against bar with box wrench. Height of leveling adjustment will be made with nuts located on the top and bottom of adjustable bar. Do not lock into final position until doors are hung.

For Overhead Braced installations, locate the U-bracket positions on the stiles that receive panels as shown. See shop drawings as the location depends on the size of the stile. (Also note location of hinge holes for mounting door hinges; follow shop drawings carefully). Mark the center for the first U-bracket 16" from the bottom of the stile and the second U-bracket 66" from the bottom of the stile. Mark the hole using the bracket as a template. Drill 1/8" pilot holes into the stile. From the top of the stile measure down 9-5/8" and then mark. This will be the height of the panel inserted in U-brackets (see details).

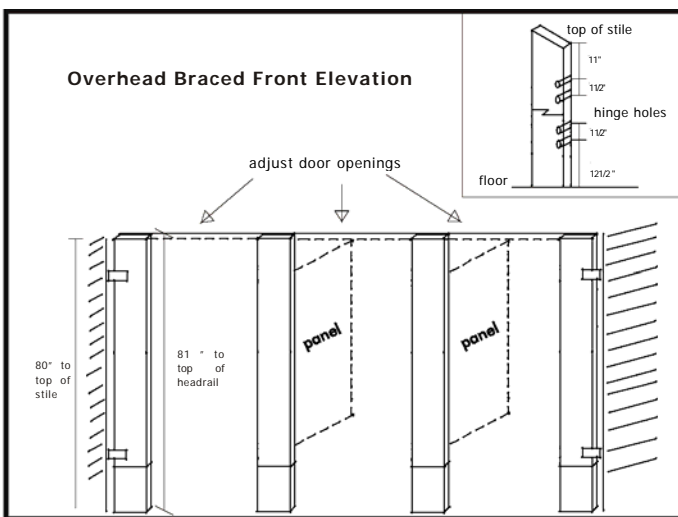
For Floor Mounted installations (without headrail bracing), mount the top of the panel to the same height as the top of the stile. Mark the hole using the bracket as a template. Drill 1/8" pilot holes into the stile.

Do not drill all the way thru the stile. Fasten the U-brackets to the stile with Phillips head wood screws found in screw pack (HW 21).



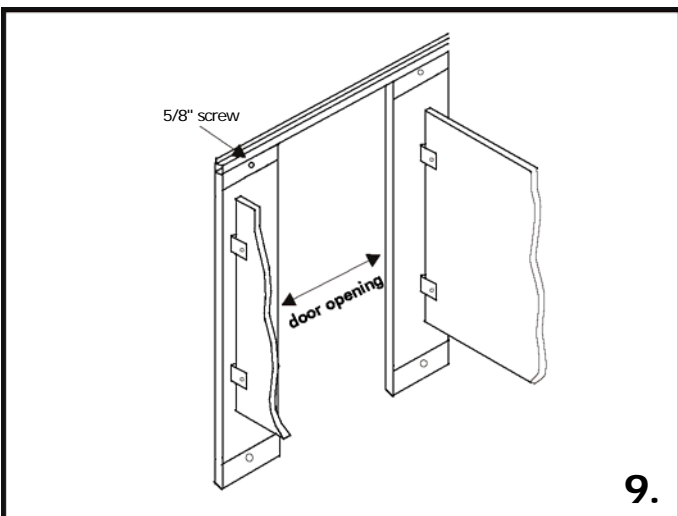


To secure panel to rear wall and stile, set 12" support under panel as shown. Place panel on support and insert into brackets mounted on rear wall. Place stile on L-plate and slide shoe down. Insert panel into U-brackets on stile. Use wedges to raise panel to 9-5/8" mark, or for Floor Mounted installation to the top of the stile. When panel is at proper height, drill thru U-brackets with a 1/4" bit (1/8" bit for Metal and Stainless compartments with 1-way self tapping on each side). Fasten with 3/4" male shoulder screws and 5/8" female barrel nuts. After panel is attached to stile, use wedges to plumb stile, attach panel to "T" brackets on wall using same size fasteners.



Floor Mounted Installation - Starting at wall pilasters or highest point of floor, close door and adjust next pilaster in line for height and equal space at hinge side reveal and lock side reveal. Secure nuts tightly against adjustable bar, locking pilaster into position. Continue across restroom compartment front until all stiles are plumb and level and all door reveals are uniform.

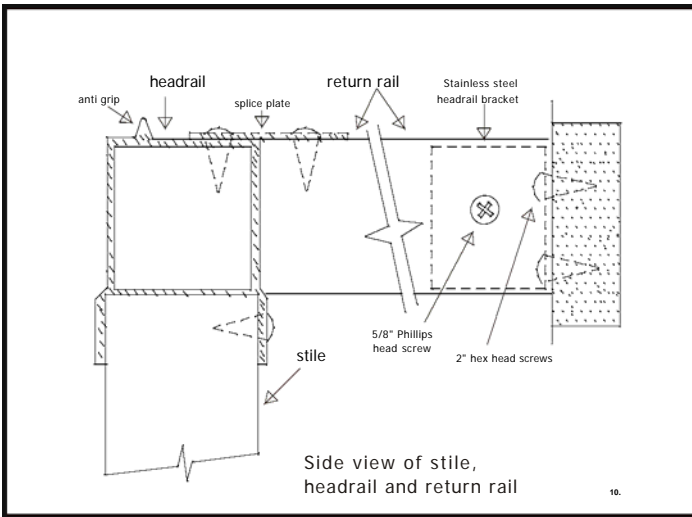
Overhead Braced Installation - Determine location of holes to mount door hinges. In some cases, these holes will be factory-drilled. Prior to attaching remaining stiles to their respective panels, remember to level them to the stile with the highest elevation. Then install remaining panels. Insert wall stiles at this time. If layout is between-wall, first attach the wall stile which has a door hung from it. Place stile out from wall at the distance shown on shop drawings. Plumb this stile and attach to L-brackets with 1 - 1/16" male shoulder screws and 5/8" female barrel nuts.



For overhead braced installations, Ampco provides pre-cut length of headrail and return rail for the room sizes shown on shop drawings. We provide the headrail in 5" increments. For example if length required is 72", take a 75" piece and cut to fit your room conditions. Note: Please review all lengths carefully before you cut. We provide only what is needed to minimize waste.

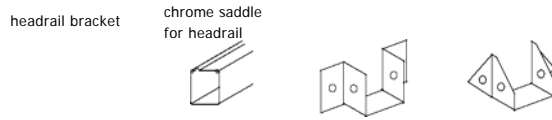
For all door openings, secure using headrail at top and L-plates at bottom of stiles. Rail should be placed on stiles with "antigrip" towards front of stall. Starting from stile attached to wall, create each door opening by adjusting bottom and top of individual stiles. Secure headrail to top of stile with 5/8" screw. After attaching headrail to top of stiles, drill 1/8" hole thru galvanized "L" plate and screw 5/8" Phillips head into stile (see drawing #4). For floor mounted, please refer to drawing #5.

Return rail placement is shown on shop drawings. It is attached to headrail with a splice plate and attached at rear wall of the stall with a rail bracket. After sliding return rail over the bracket, drill an 1/8" pilot hole thru the return rail and bracket. Secure with 5/8" phillips head screw.



For Metal and Stainless Steel, return rail is attached to headrail with a splice plate and attached at rear wall of the stall with a saddle. After sliding return rail into the saddle, drill a 1/4" hole thru the return rail and secure with thru bolt.

An end cap is provided for a finished look. Tap into exposed end of headrail.



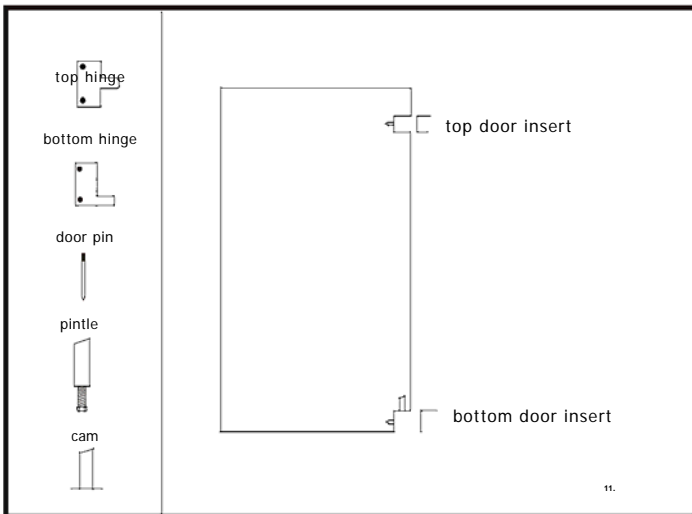
For Overhead Braced and Floor Mounted, insert the top door insert into the cutout in the door. Fasten the flat head screw provided in door pack.

return rail

Place bottom insert at bottom of door and tap cam in hole. Fasten with screw provided. Attach hinges to stiles top and bottom using male 1-1/16" shoulders and female 5/8" barrels. Set bottom of door on pintle and **gently** hammer down door pin into hole on top of door. Pin knurl must be on top of door and must be completely inserted in the hole. Check that pins remain inserted correctly on a regular basis.

For Metal and Stainless Steel, place bottom insert at bottom of door and tap cam in hole. Attach hinges to stile, top and bottom, using male 1 1/16 shoulders and female 5/8 barrels. Set bottom of door on pintle and screw door pin into hole on top of door.

Adjustment for door closure is made using gravity pintle cam feature on bottom hinge. A nut at the base of the pintle is tightened when door is in proper position. Attach latches, coat hooks, and bumpers.



In a layout where a stile and a panel are in-line, we provide special "reducer" hardware called alcove clips. This will allow for the relative thickness between panels and stiles.

See drawing for mounting locations for coat hook, slide latch and keeper.

