

Tools Required

- 4 ft. level
- Hammer
- Hammer drill
- Misc. screwdriver bits
- Misc. drill bits, including 4mm (5/32") & 8mm (5/16")
- 6mm (1/4") masonry bit
- 11mm (7/16") wrench
- 13mm (1/2") wrench
- 17mm (11/16") open end wrench
- Chalkline
- 6-lobe driver bit
- Tape measure

SOLID PLASTIC FLOOR TO CEILING INSTALLATION MANUAL



General Notes

The following installation instructions are based on the most common unit arrangement. Other arrangements will be encountered, i.e. units contained between two walls or between two freestanding panels.

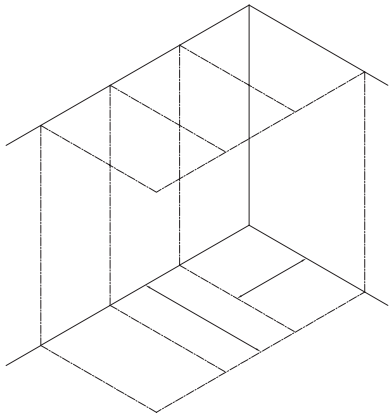
For dimensional information, refer to your plan layout and dimensional details. Note in particular the relationship of the panels to the pilasters (panels do not necessarily fall on the centerline of the pilaster).

The ceiling connection for Floor to Ceiling toilet partitions requires an overhead structural member (normally a channel). This member is supplied, installed, and drilled by others.

Stud assemblies are available from Hadrian, but Hadrian does not install them. Stud assemblies should be in place prior to application of finished ceiling.

Varying site conditions can affect the installation process. To effect a rigid and level installation, it is important for installers to be aware of and compensate for uneven floor and wall conditions.

It is the distributor's responsibility to supply end-users with maintenance and warranty information.

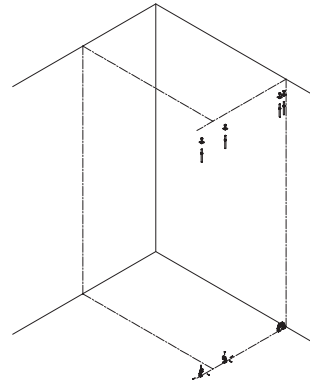


1

Establish Ceiling Stud Locations

Establish front centerline by taking the overall compartment dimension and deducting 13mm (1/2").

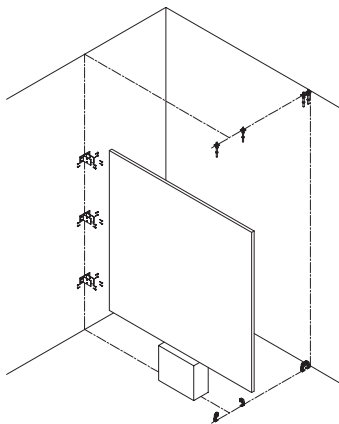
Use final layout drawings to determine locations.



2

Fasten Ceiling Studs and Floor Brackets

Drill holes for floor hardware 22mm (7/8") in from edge of pilaster locations and drill holes for ceiling studs 25mm (1") in from edge of pilaster locations as indicated on layout drawing.

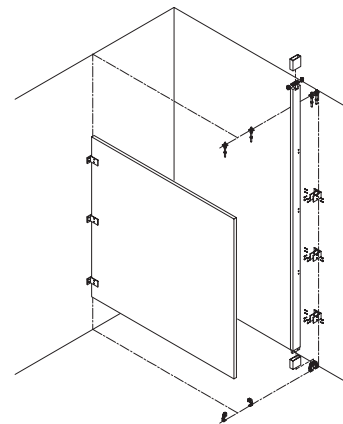


3

Erect Panel

Using your centerline locations, fasten panel to wall using 3 panel brackets. Brackets should be 508mm (20"), 1054mm (41.5"), and 1600mm (63") from floor.

Dimension from floor to underside of panel should be approximately 356mm (14"). Use of a shim block may be helpful in establishing proper distance from floor to underside of panel.

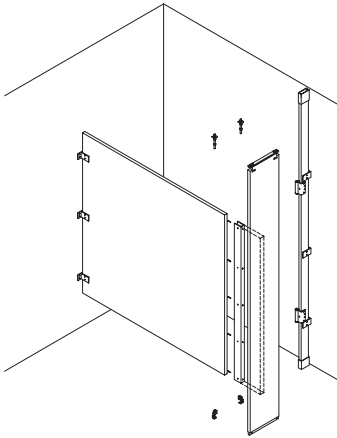


4

Erect Wall Pilaster

Fasten 3 "F" Brackets to wall at centerline. Brackets should be 508mm (20"), 1054mm (41.5"), and 1600mm (63") from floor.

Slide shoes onto pilaster. Position pilaster in wall brackets and over floor brackets and ceiling studs. Install floor and ceiling hardware, plumb pilaster and tighten. Attach pilaster to wall brackets.



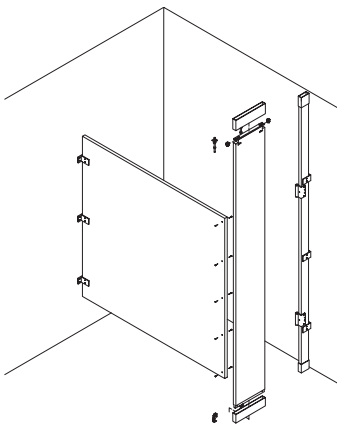
5

Prepare Pilaster For Door

Fasten upper and lower hinges to pilaster by securing screws through pilot holes (Note: the hinge barrel should be on the inside of the compartment for inswing and the outside for outswing conditions).

Using the hinge as a template, drill holes for through-bolts.

Secure remaining fasteners on sides of hinges.

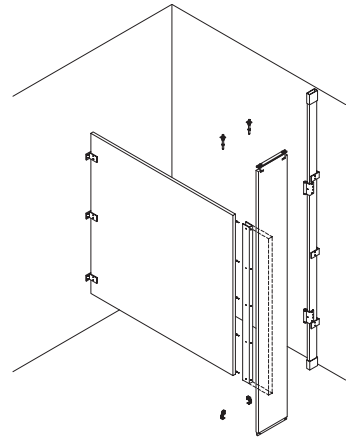


7

Erect Pilaster

Slide shoes onto pilaster and position pilaster on floor brackets and ceiling studs, with "U" channel engaging the panel. Install ceiling stud hardware, plumb pilaster and tighten.

Fasten "U" channel to panel.



6

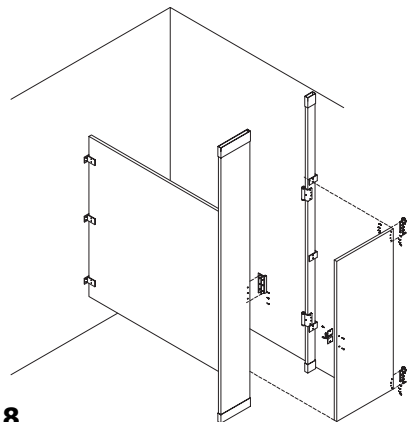
Fasten "U" Channel to Pilaster

Place next pilaster on floor brackets and mark center line of panel on the back. (offset as indicated on layout drawing).

Mark the top height of the panel on this line. The vertical line will serve as a guide for the "U" channel.

Pre-drill pilaster to accept screws at 5/8" (16mm) deep.

Remove pilaster from floor brackets and fasten "U" channel to pilaster.



8

Prepare Door For Hanging

Fasten upper hinge to door.

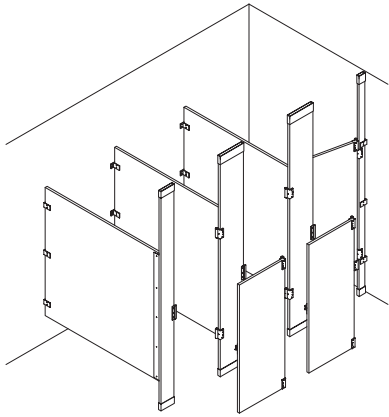
Fasten latch at midway point of door with through-bolts.

Adjust hinge cam mechanism to allow door to rest at 30 degrees open (for inswing) or closed (for outswing).

Hang door by placing upper door hinge onto hinge component already fastened to pilaster.

Slide bottom door hinge into place and fasten with through-bolts, allowing space for door to operate.

Fasten Stop & Keeper on pilaster (be sure to line it up with the latch).



9

Erect Remaining Compartments

Ensure all pilasters are securely fastened to floor brackets and ceiling studs and repeat steps 3 – 8 (as necessary) for all remaining compartments.

Note: Hadrian recommends installing one compartment (including door) at a time.



Optional Item

Continuous Hinge

Replaces conventional barrel hinges. The continuous hinge is fastened to the door and pilaster with through-bolts.