



AMERICAN SPECIALTIES, INC.
441 Saw Mill River Road, Yonkers, NY 10701
(914) 476.9000 • (914) 476.0688
www.americanspecialties.com

MODEL №: 0815

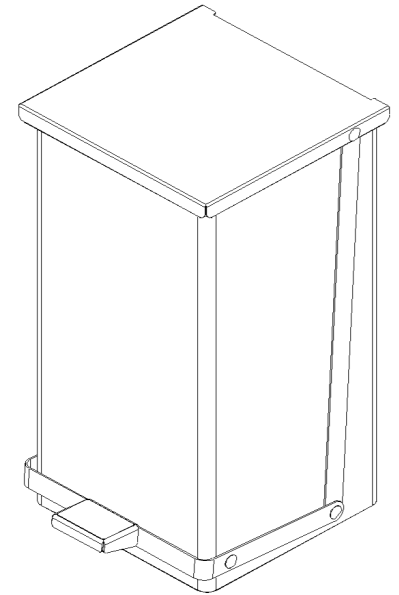
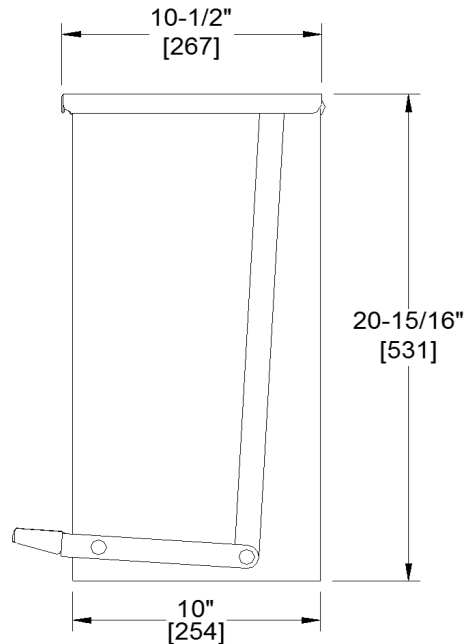
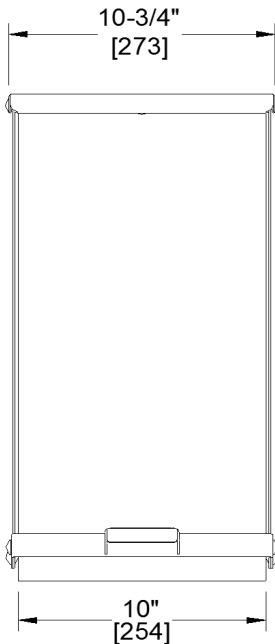
ISSUED: 06/2017

REVISED:

FLOOR STANDING FOOT OPERATED WASTE RECEPTACLE

NOTE:
ALL DIMS
INCH [MM]

N.T.S.



SPECIFICATION

Floor Standing Foot Operated Waste Receptacle shall hold 8 gal (30.7 L) of waste material. Waste receptacle body shall be 22 gauge type 304 stainless steel alloy 18-8 and top shall be 18 gauge. Top shall be attached to body with a stainless steel multi-staked piano hinge. Foot pedal & straps shall be 14 gauge. Waste receptacle shall have hemmed edges for safety and shall have pull clamps for hanging a disposable trash bag (by others). Structural assembly of all components shall be of welded construction. All exposed surfaces shall be satin finish and be protected during shipment with PVC film easily removable after installation.

Floor Standing Foot Operated Waste Receptacle shall be Model № 0815 as manufactured by American Specialties, Inc., 441 Saw Mill River Road, Yonkers, New York 10701-4913

INSTALLATION

Waste receptacle is free standing and should be placed in appropriate position on finished floor.

OPERATION

Owner provides disposable trash bags to hang on hinged pull clamps. Waste material is deposited into receptacle disposable liner bag (by others) through top opening while user is pressing down on foot pedal. Waste receptacle is emptied manually on cycle determined by maintenance requirements.